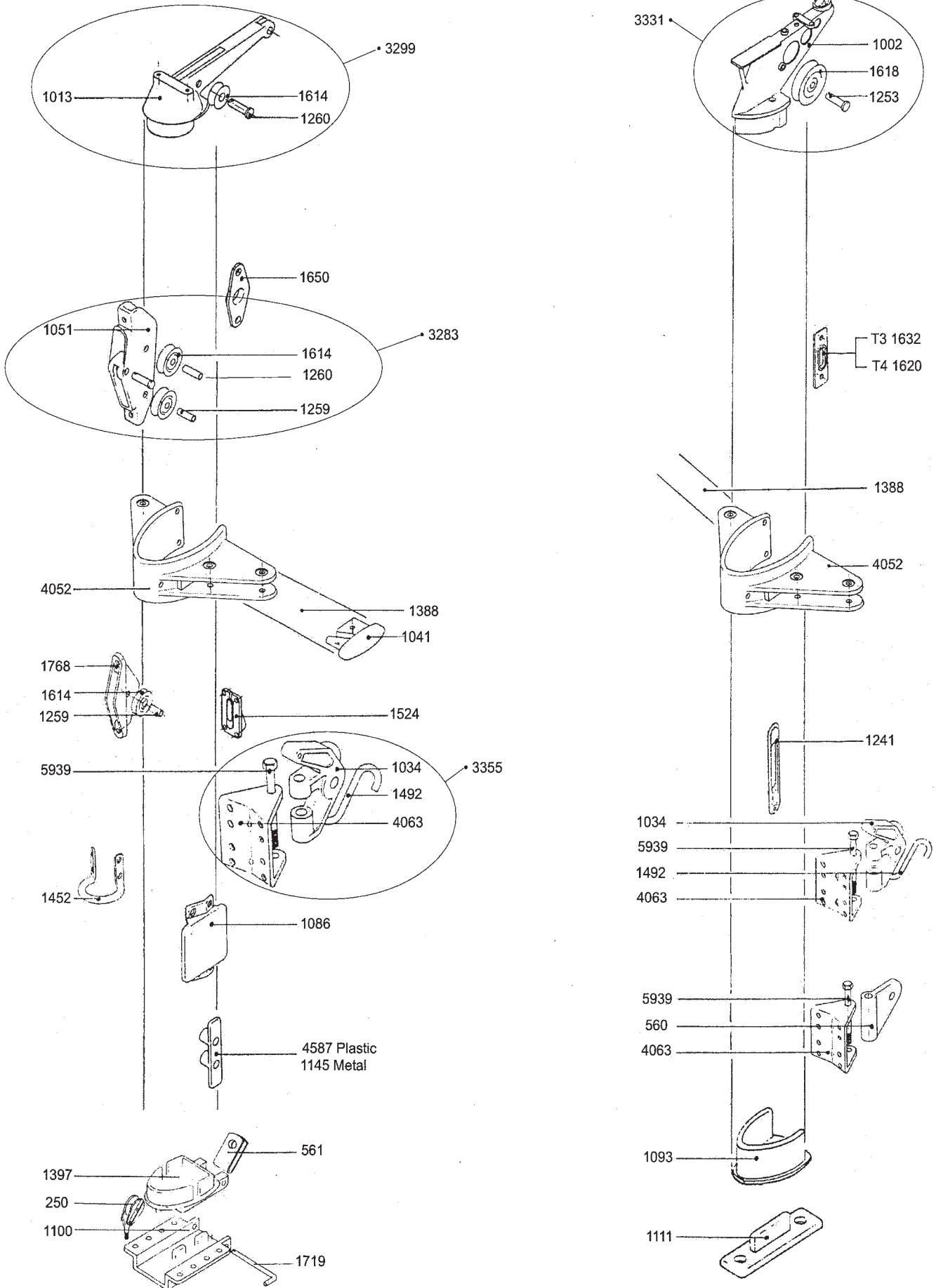


# MASTS

## Z 145

## Z 145 TAPER

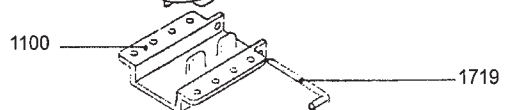
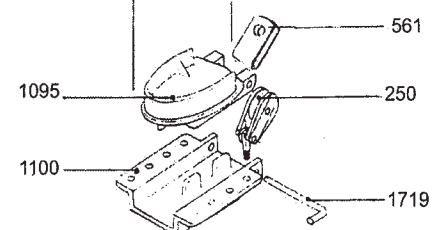
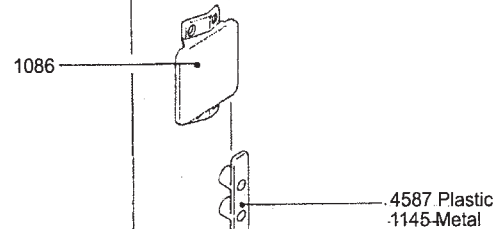
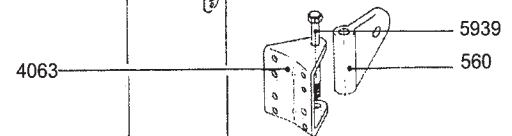
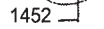
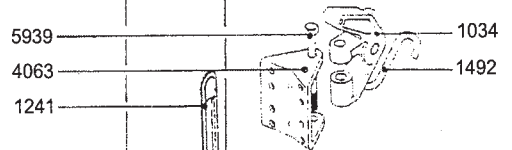
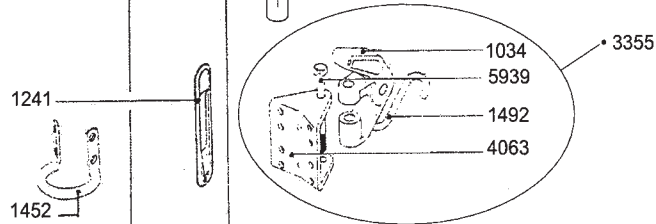
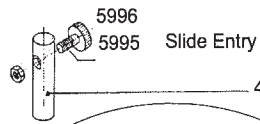
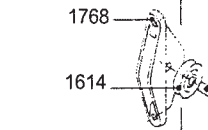
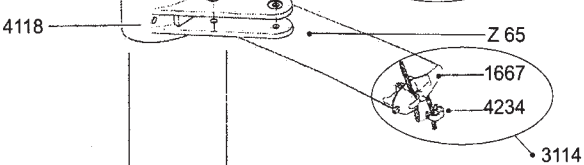
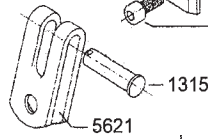
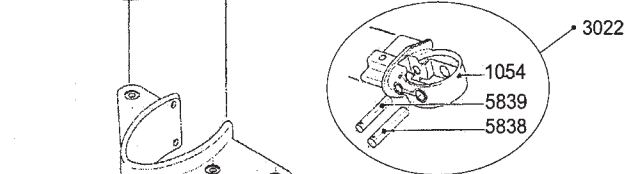
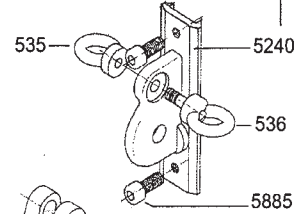
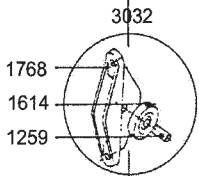
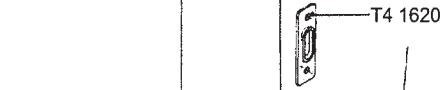
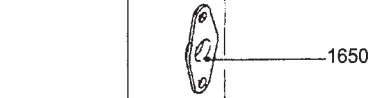
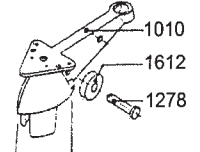
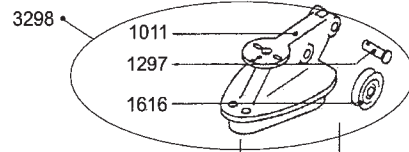
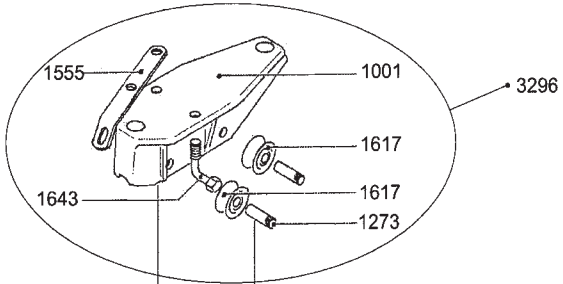


MASTS

Z 170

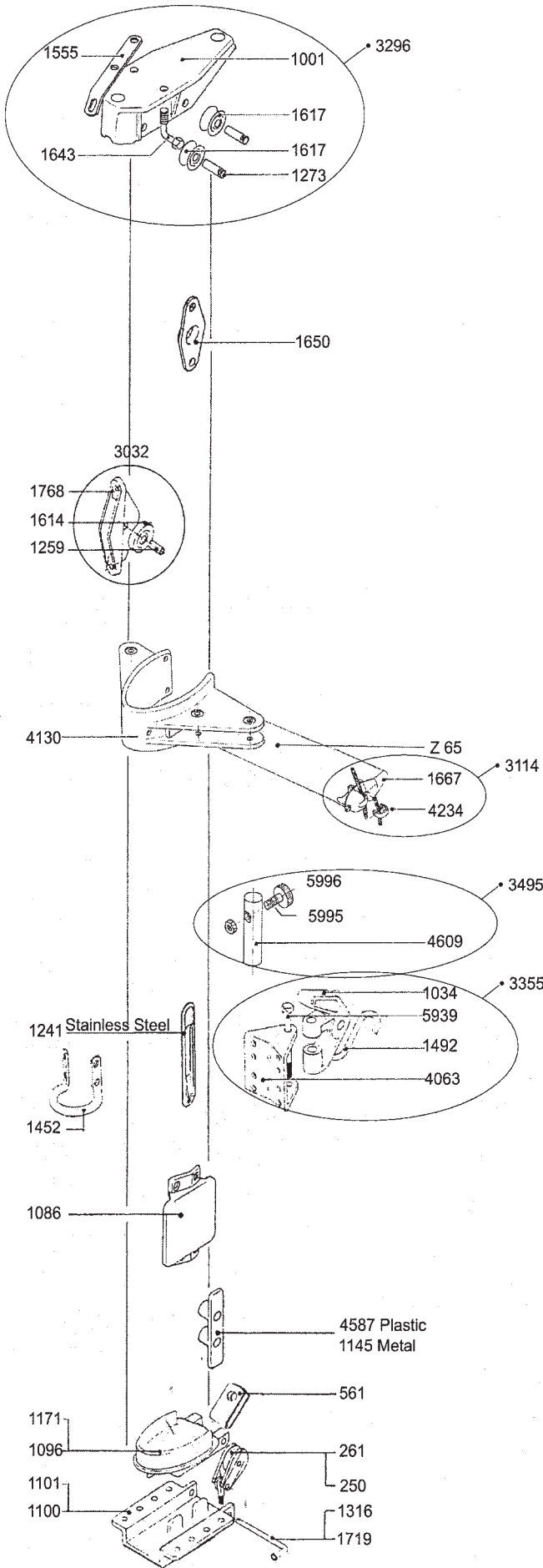
Z 170 7/8

Z 170 Taper



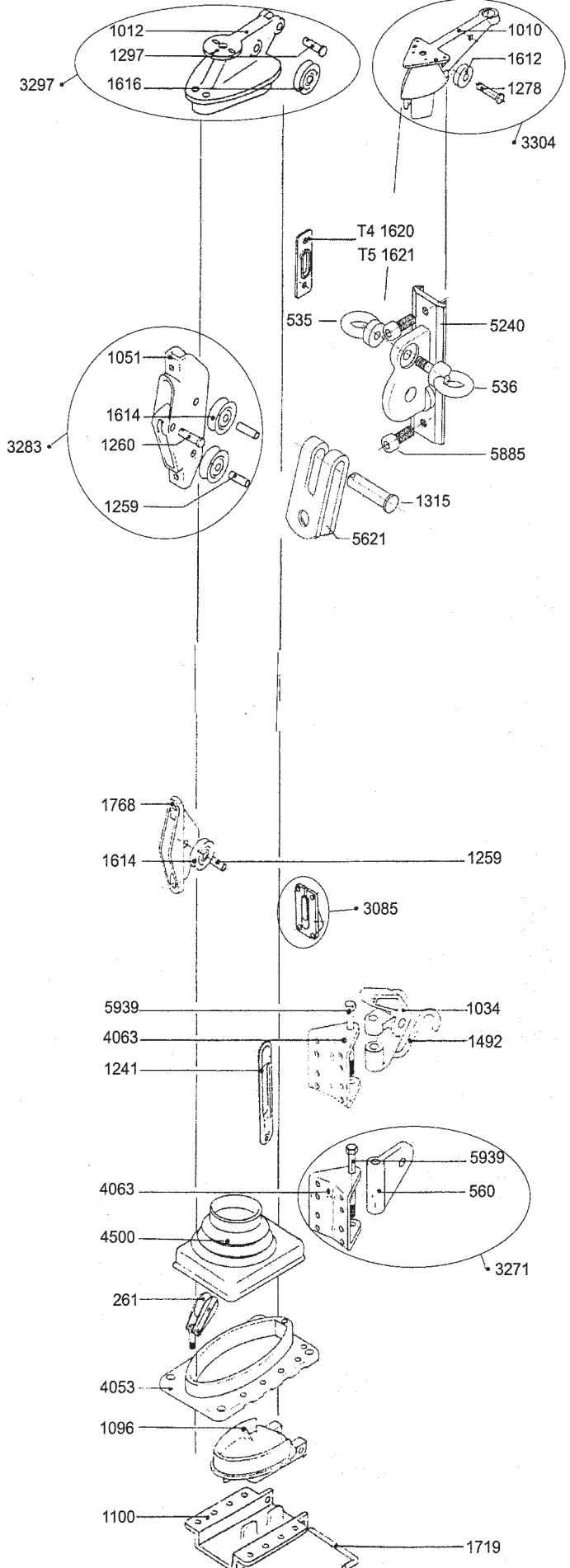
MASTS

Z 190



Z 190 7/8

Z 190 Taper

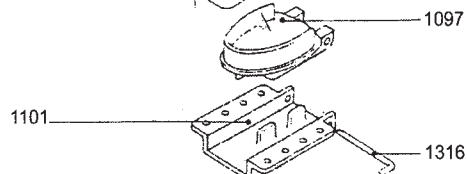
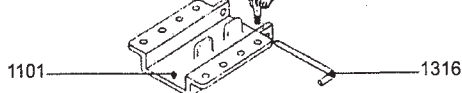
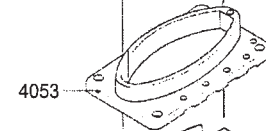
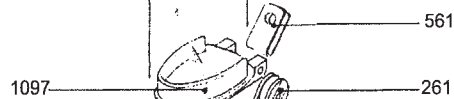
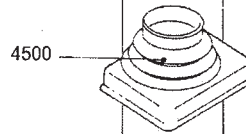
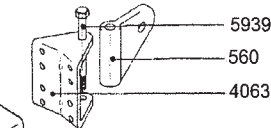
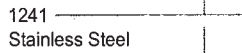
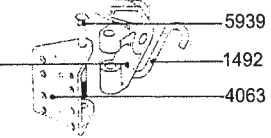
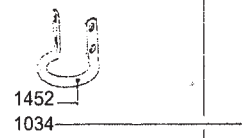
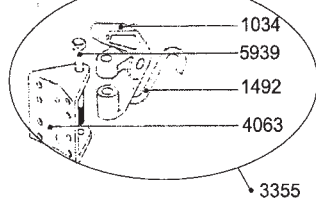
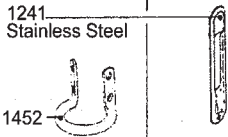
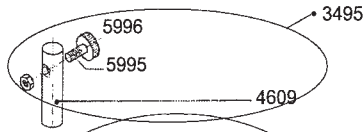
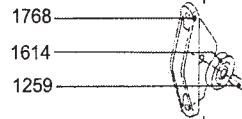
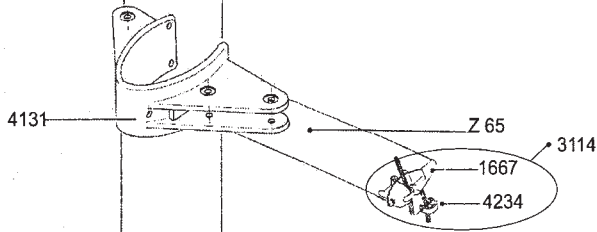
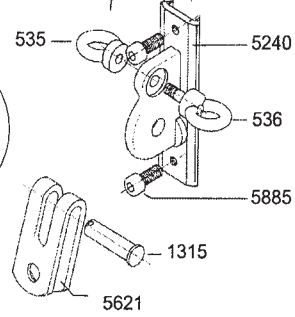
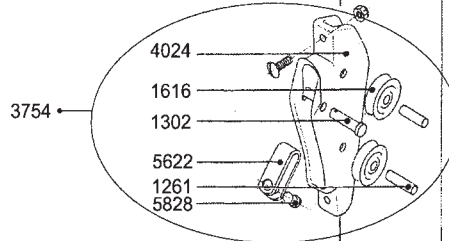
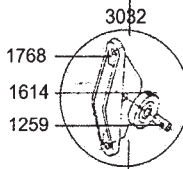
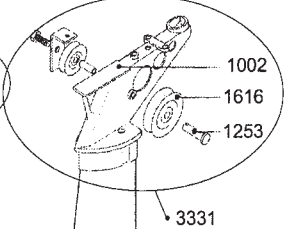
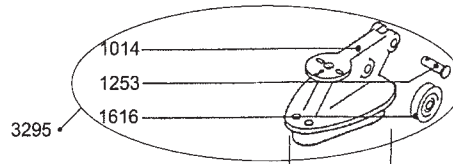
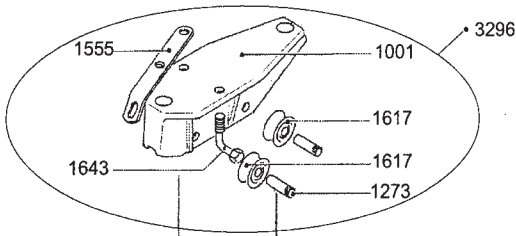


MASTS

Z 230

Z 230 7/8

Z 230 Taper

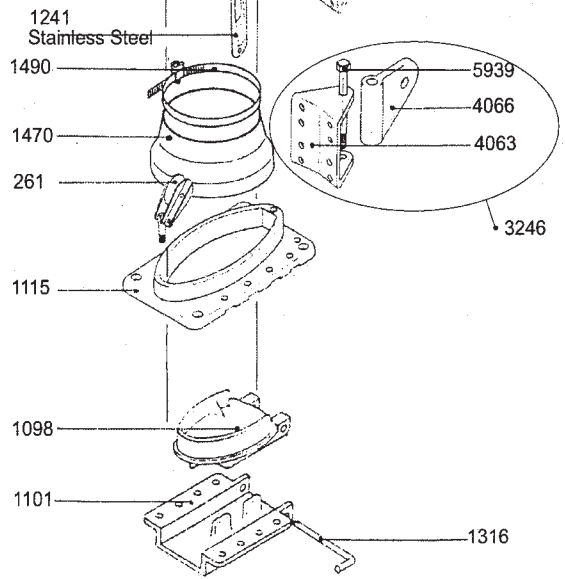
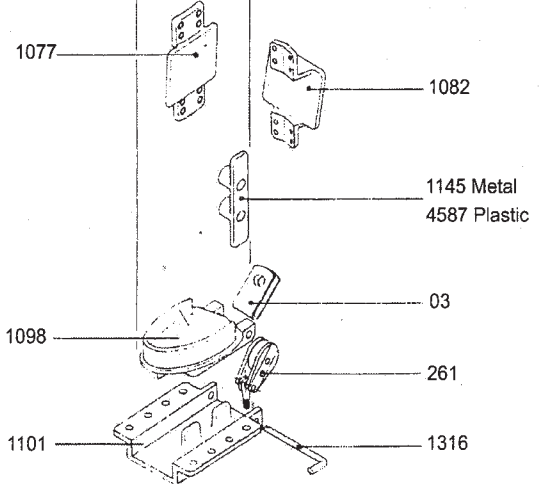
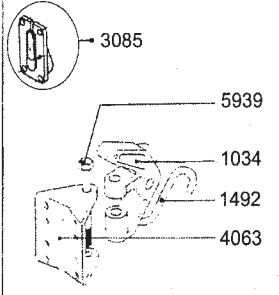
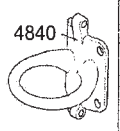
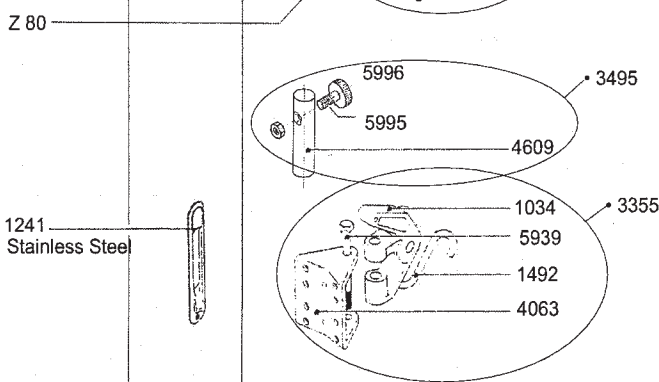
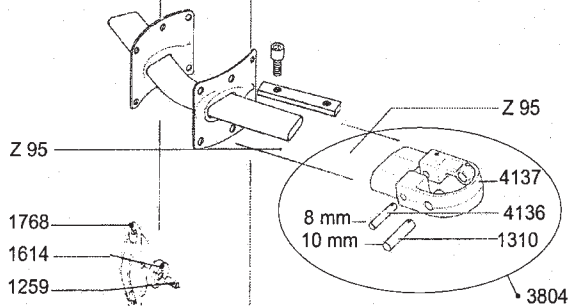
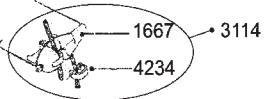
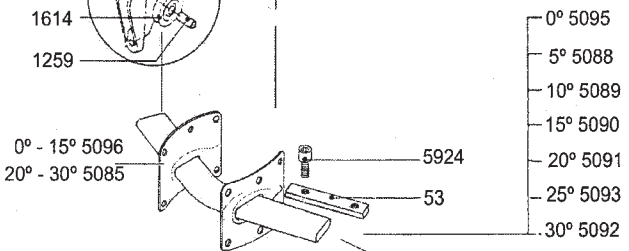
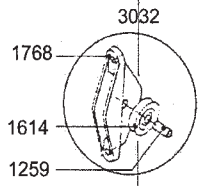
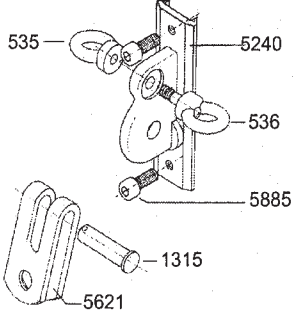
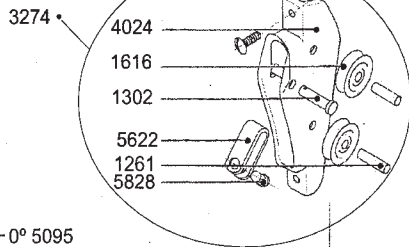
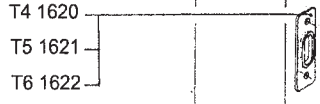
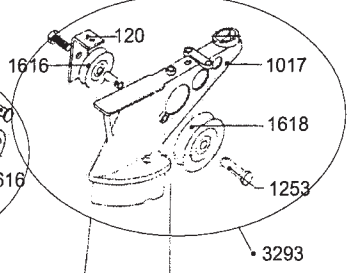
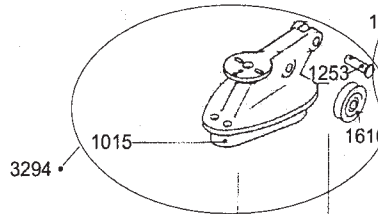
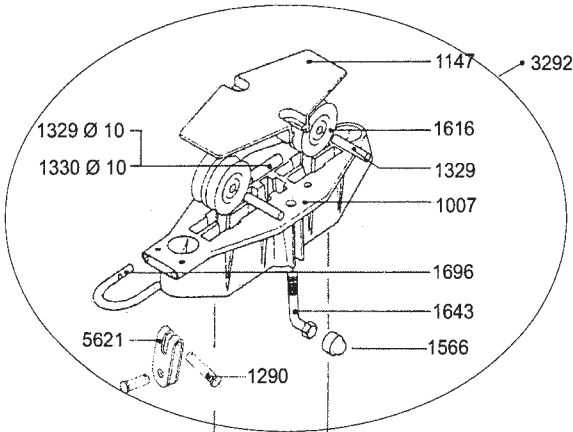


Z 265

MASTS

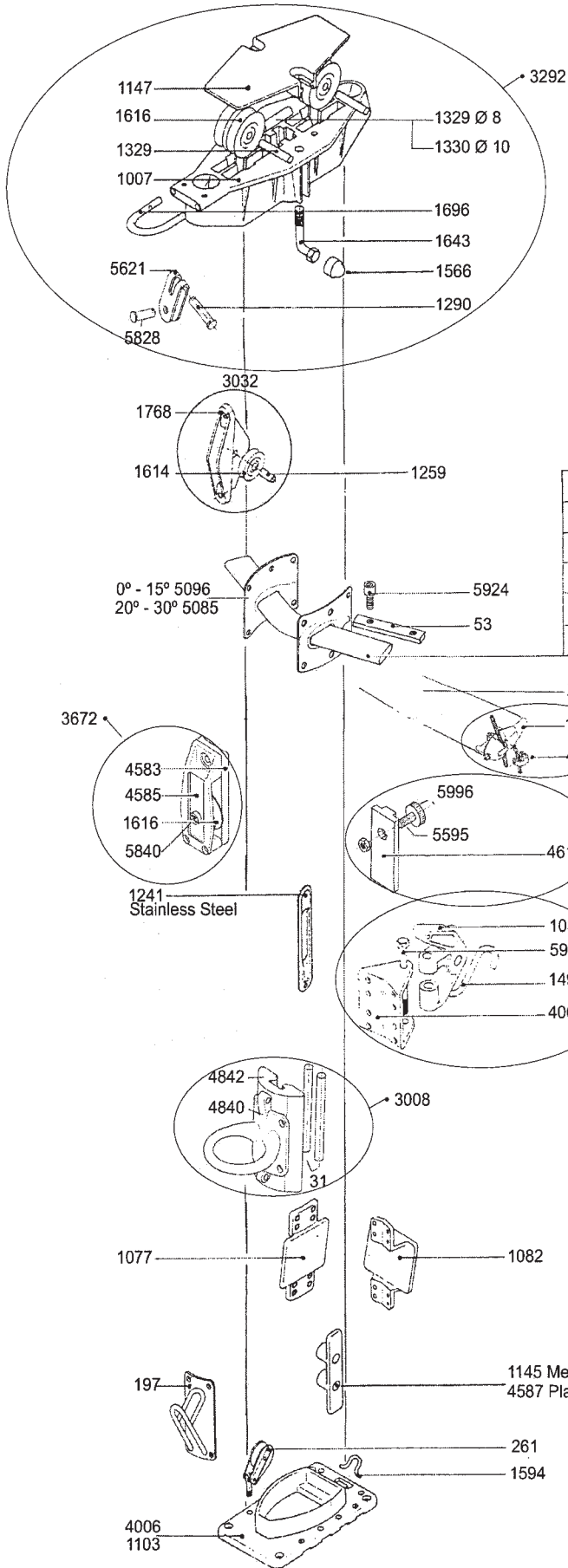
Z 265 7/8

Z 265 Taper

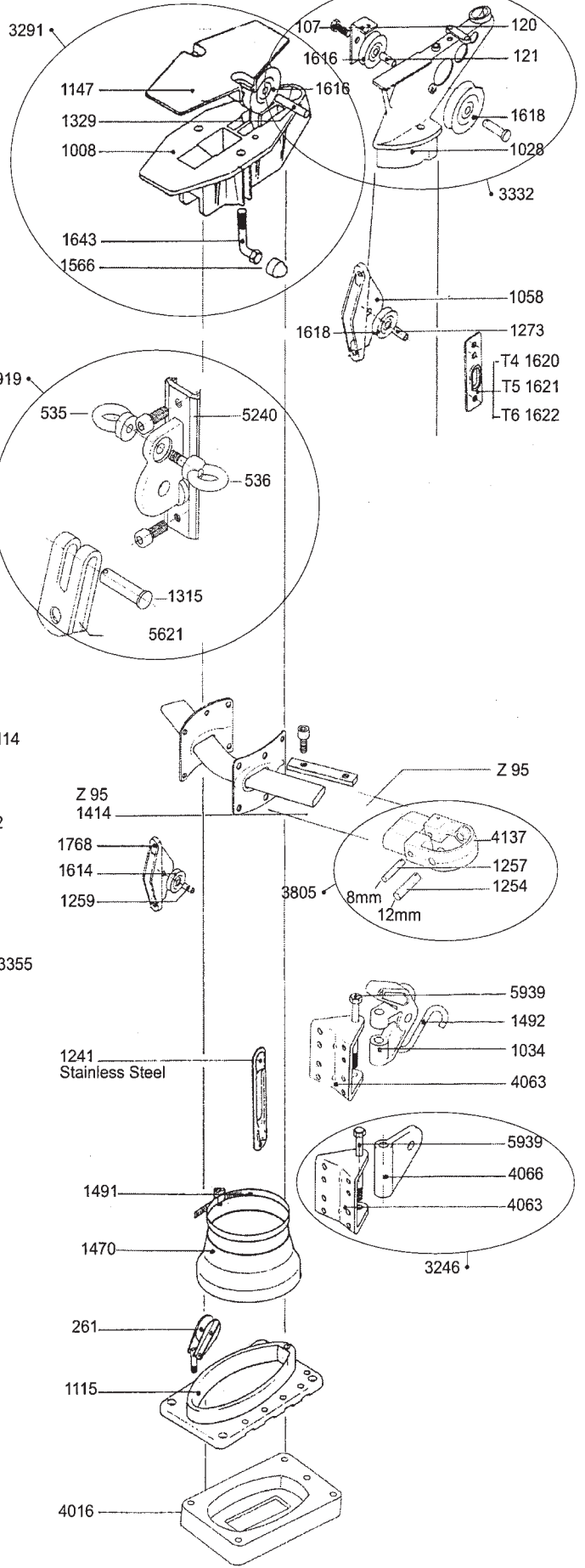


MASTS

Z 351



Z 351 7/8



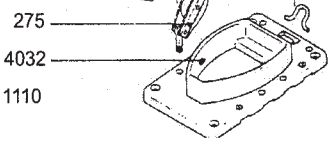
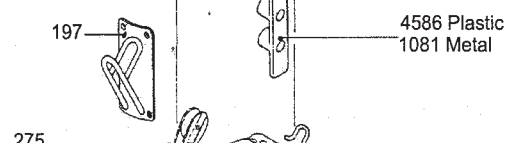
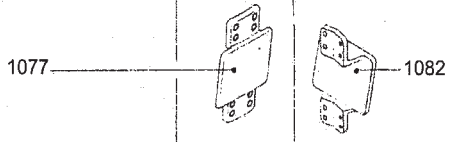
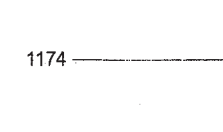
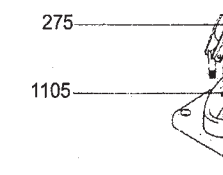
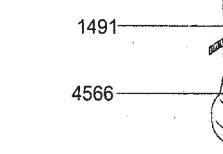
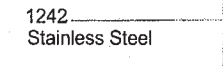
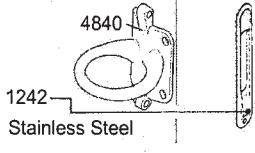
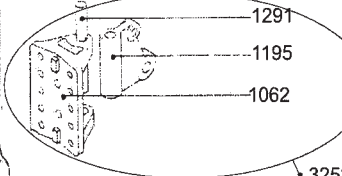
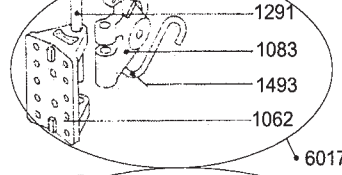
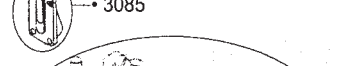
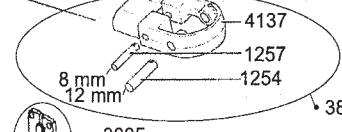
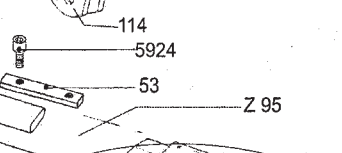
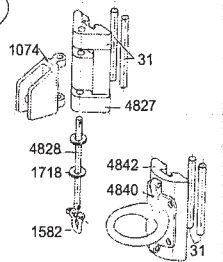
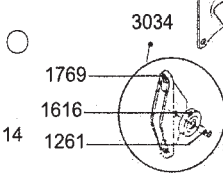
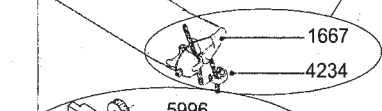
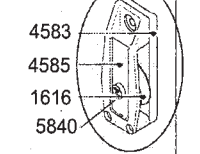
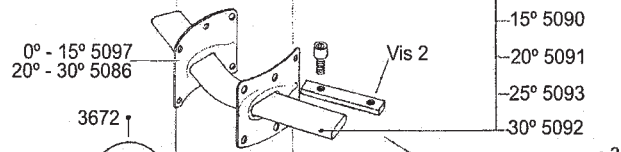
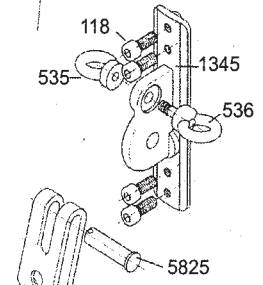
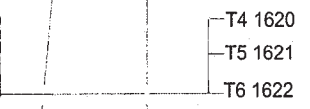
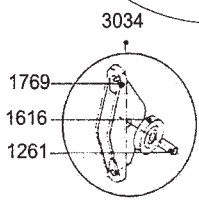
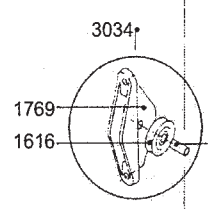
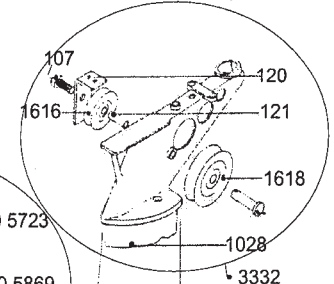
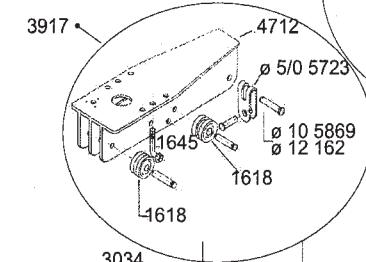
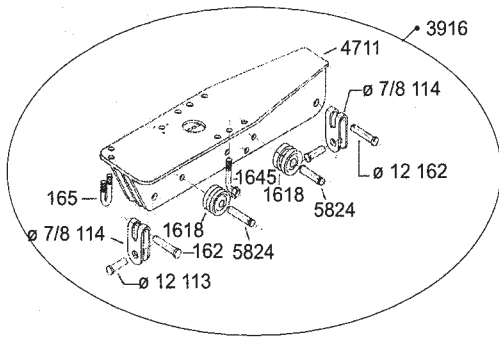
Z 351 Taper

Z 401

MASTS

Z 401 7/8

Z 401 7/8 Taper

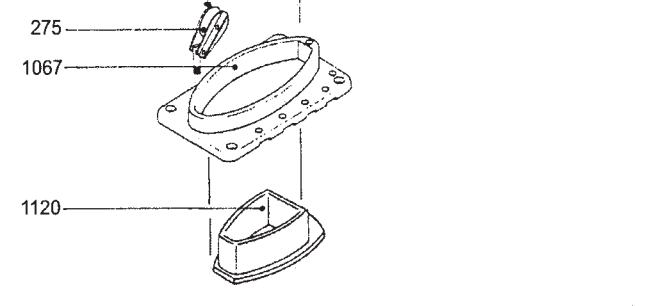
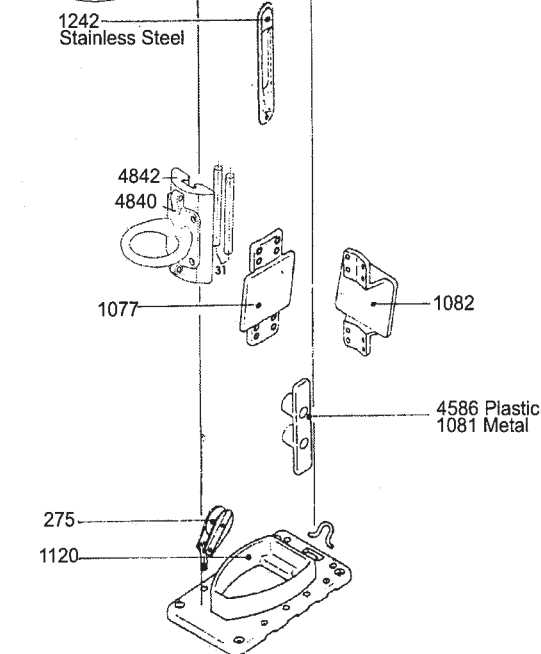
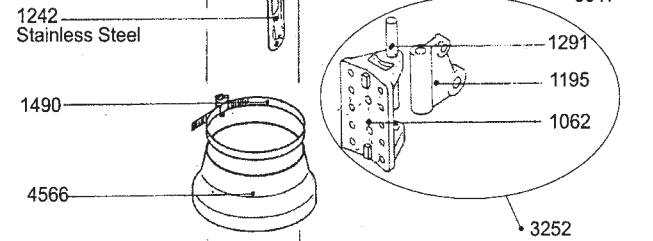
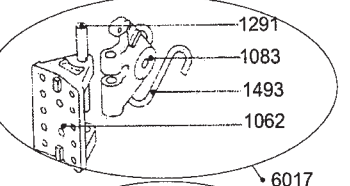
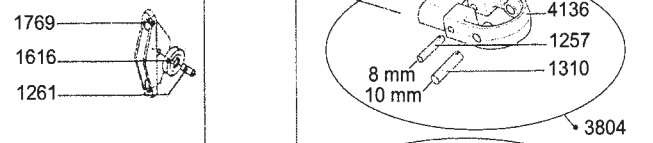
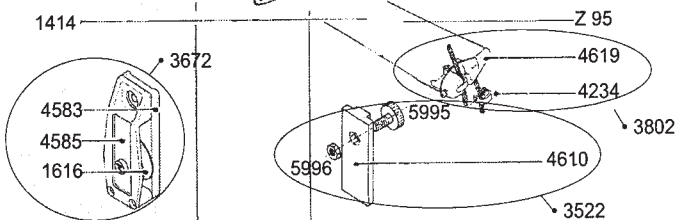
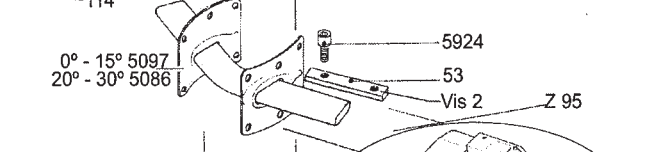
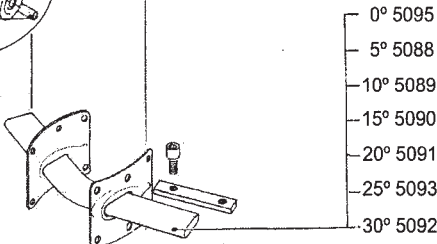
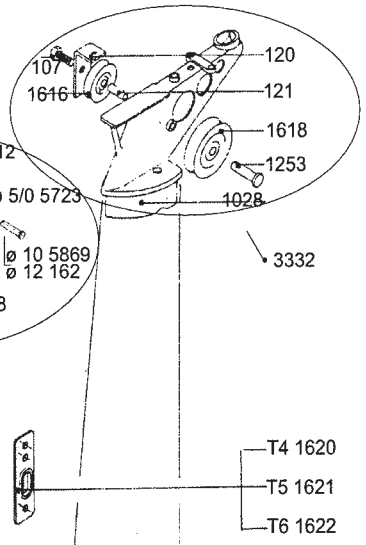
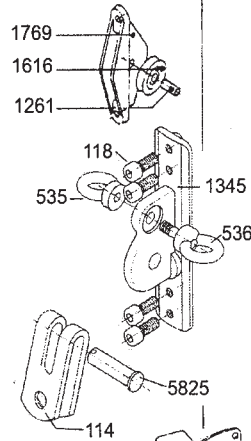
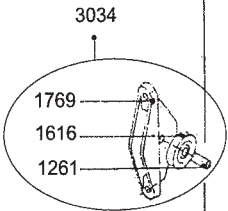
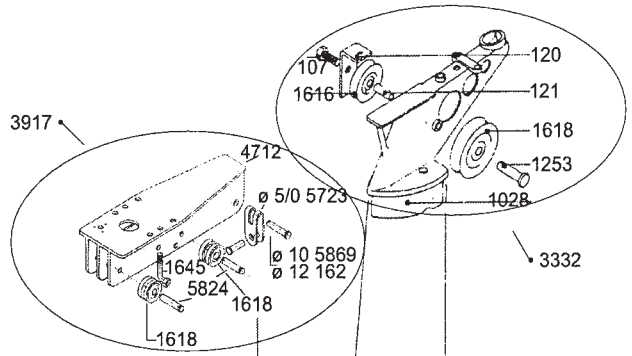
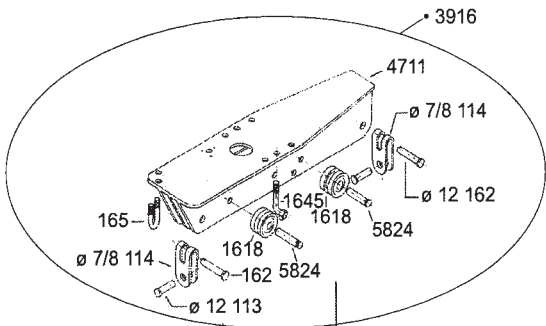


MASTS

Z 501

Z 501 7/8

Z 501 7/8 Taper



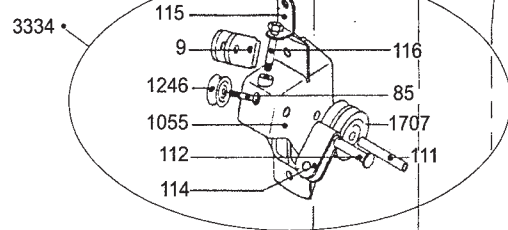
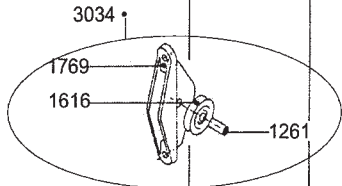
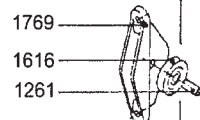
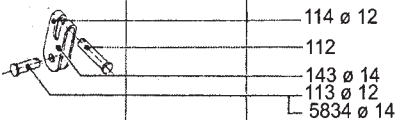
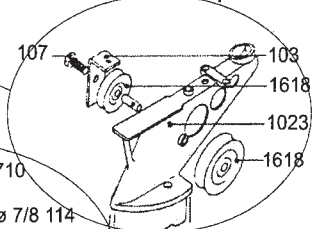
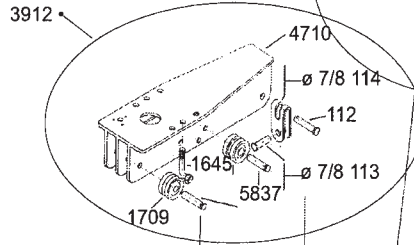
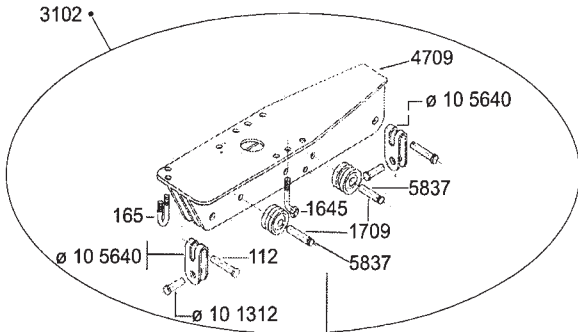


MASTS

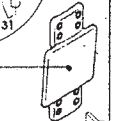
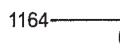
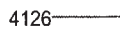
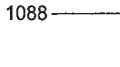
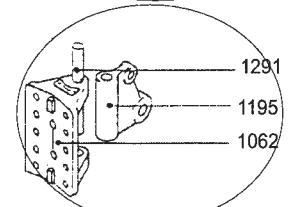
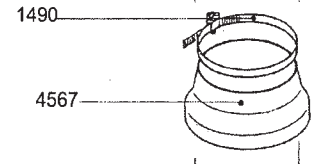
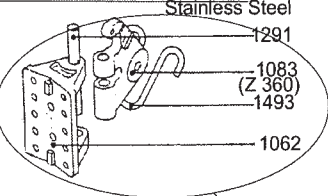
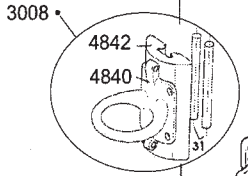
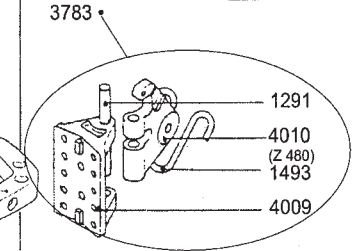
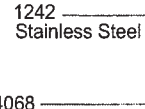
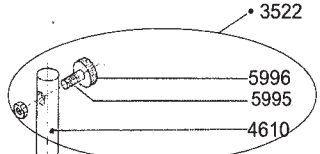
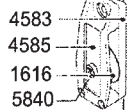
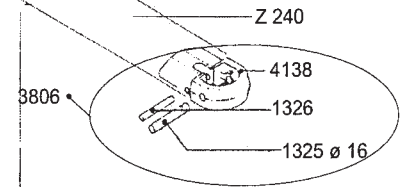
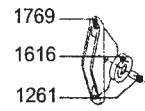
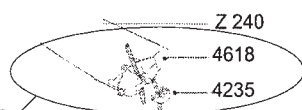
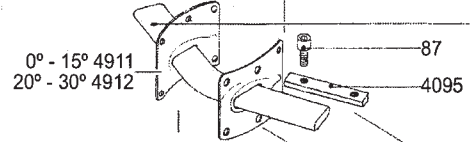
Z 601

Z 601 7/8

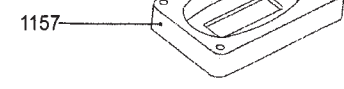
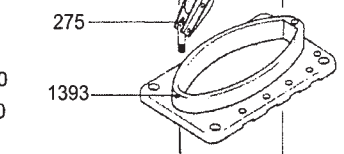
Z 601 7/8 Taper



- 0° 5040
- 10° 5041
- 15° 5042
- 20° 5043
- 25° 5044



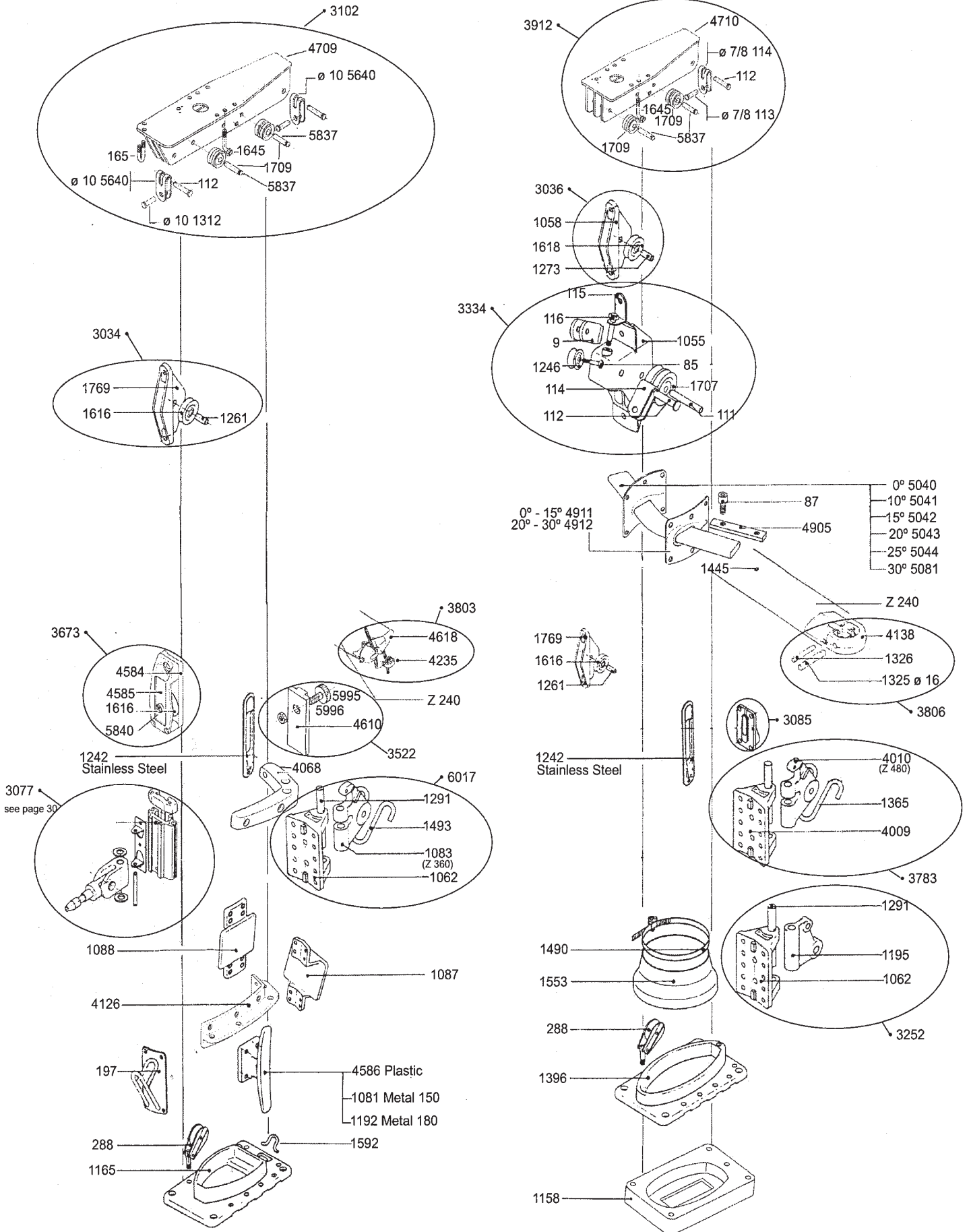
- 4586 Plastic
- 1081 Metal: 150
- 1192 Metal: 180



# MASTS

## Z 701

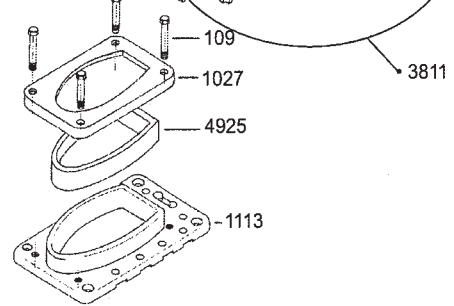
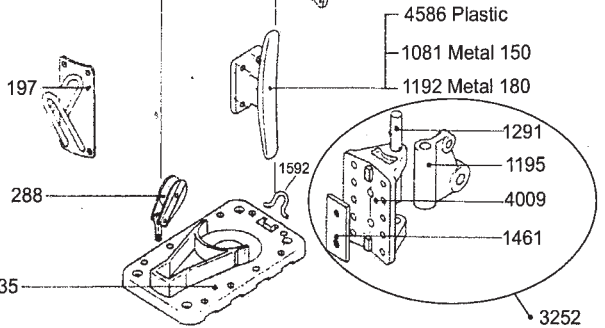
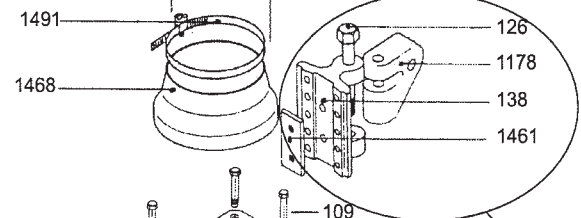
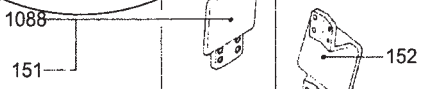
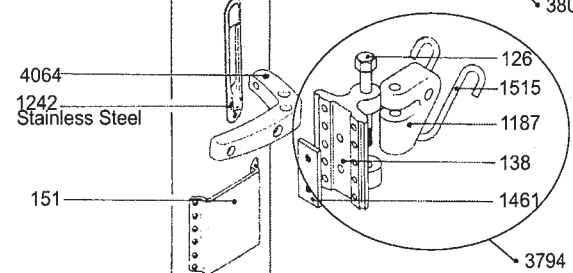
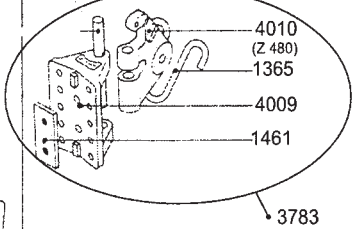
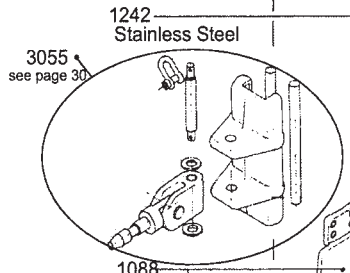
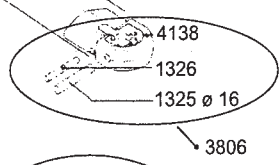
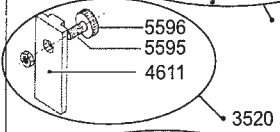
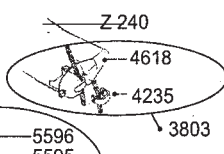
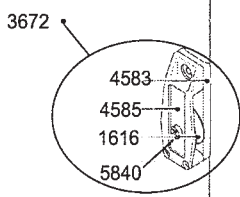
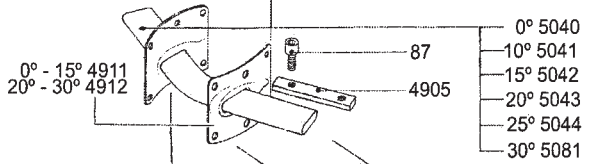
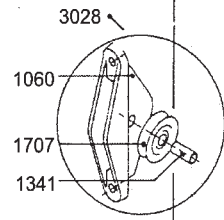
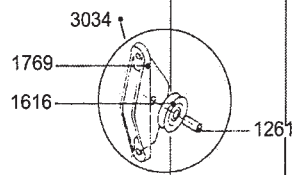
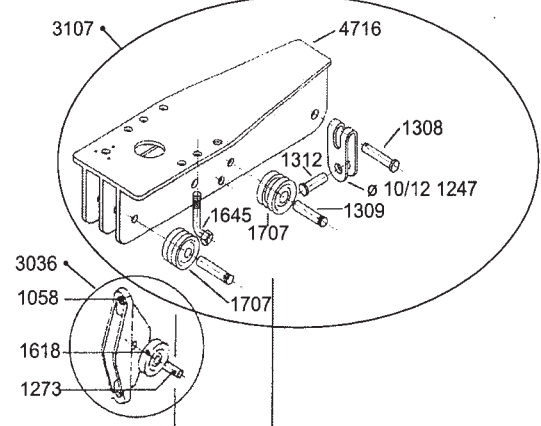
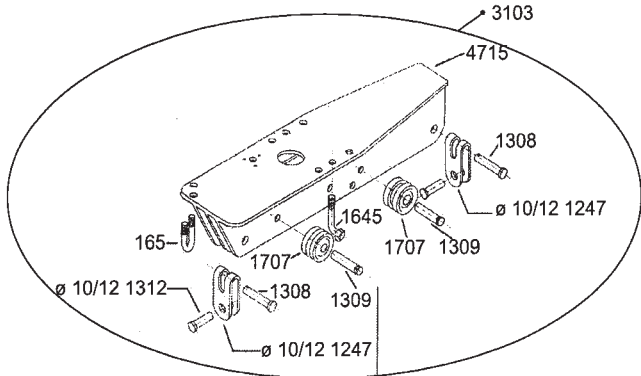
## Z 701 7/8



MASTS

Z 901

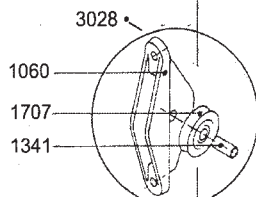
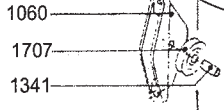
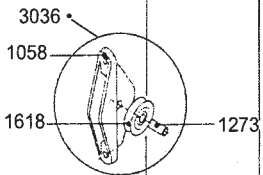
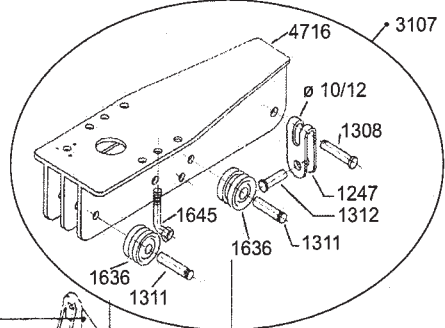
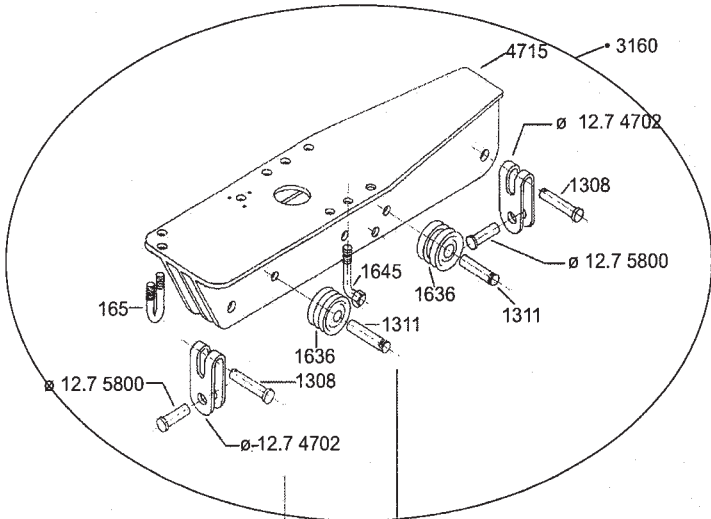
Z 901 7/8



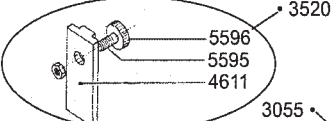
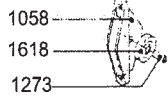
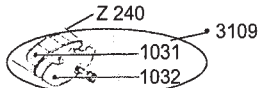
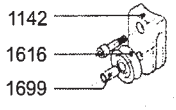
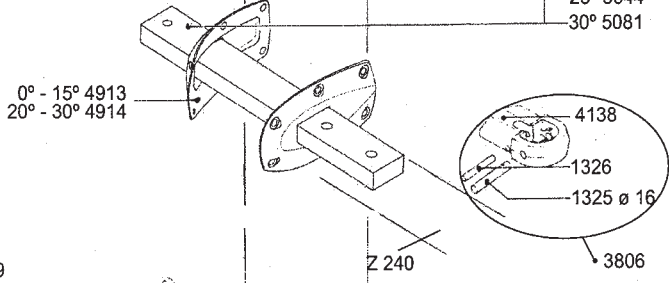
MASTS

Z 1001

Z 1001 7/8



- 0° 5040
- 10° 5041
- 15° 5042
- 20° 5043
- 25° 5044
- 30° 5081



1242  
Stainless Steel

1242  
Stainless Steel

