

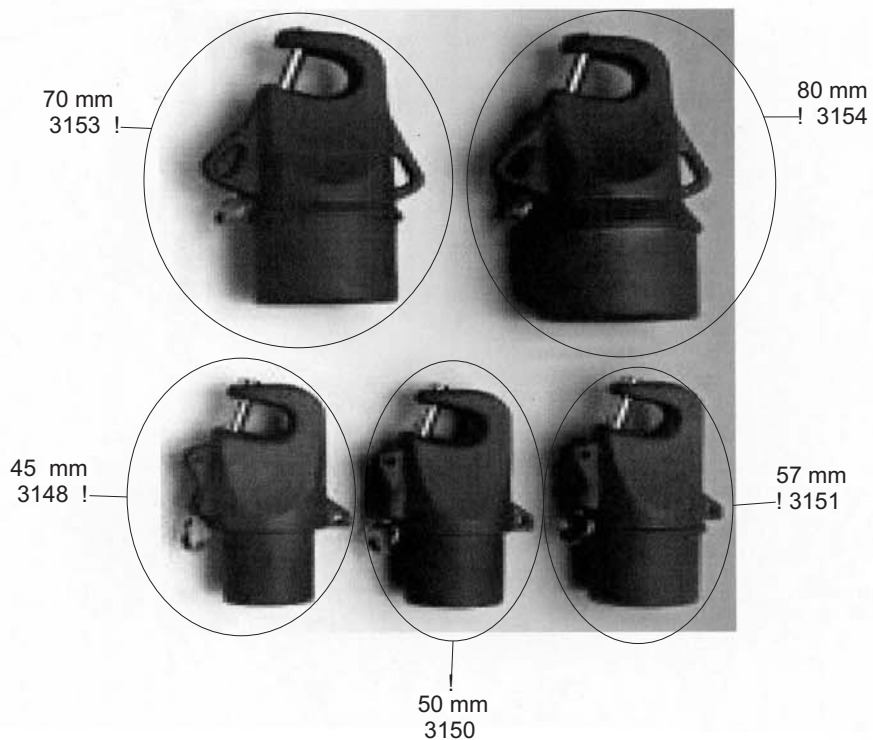
# U.S. SPARS POLES

*Supplied By American Rigging Supply, Inc.*

Pole tubes are made from aluminum alloy. The spinnaker pole length normally equals your yacht's J measurement (distance from mast to forestay at deck). Longer poles can be supplied.

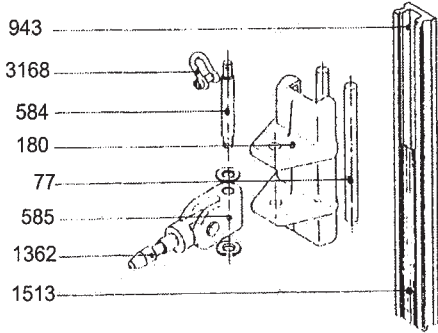
Note: we do not guarantee our pole ends if not set on a Z Spars mast with our fittings. An incompatible mast fitting may result in breakage of the pole end.

<b>POLE Part #</b>	<b>POLE SIZE O/D</b>	<b>Standard Pole Length (J)</b>	<b>Weight LB</b>	<b>Wall mm</b>	<b>Inner End</b>	<b>Outer End</b>	<b>Pole Price</b>
<b>7667IA</b>	45mm	2900mm	8	2	Piston	Piston	<b>\$139.15</b>
<b>7666IA</b>	50mm	3000mm	10	2	Piston	Piston	<b>\$168.20</b>
<b>7665IA</b>	57mm	3000mm	11	2.1	Piston	Piston	<b>\$217.80</b>
<b>7663IA</b>	70mm	4500mm	14	2.5	Piston	Piston	<b>\$314.60</b>
<b>7664IA</b>	80mm	5000mm	17	2	Piston	Piston	<b>\$370.70</b>
<small>cone end</small> <b>7664IA</b>	80mm	5000mm	17	2	Z-Cone	Piston	<b>\$359.70</b>
<small>cone end</small> <b>7657IA</b>	100mm	6000mm	22	3	Z-Cone	Piston	<b>\$742.50</b>
<b>7657IA</b>	100mm	6000mm	24	3	Harken Cone	Harken Piston	<b>\$918.40</b>

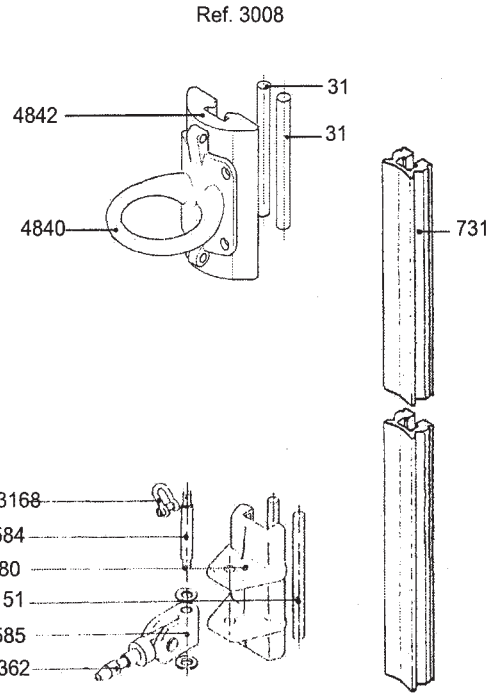


Supplied By American Rigging Supply, Inc.

# SPINNAKER POLE, TRACK AND CAR SYSTEMS



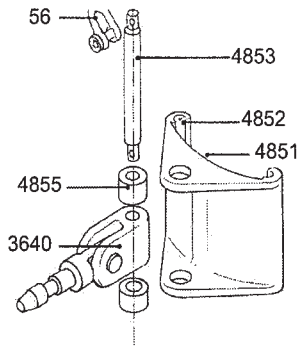
Ref. 3055



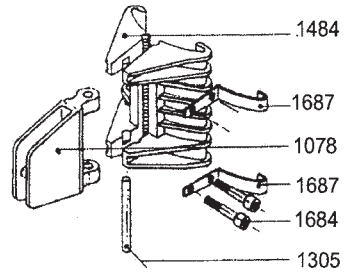
Ref. 3008

Ref. 3077

U.S. Spars pole cars are designed for our own make of poles.



Ref. 3054



Ref. 3052