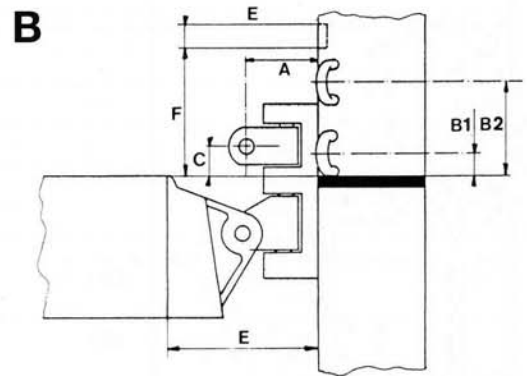
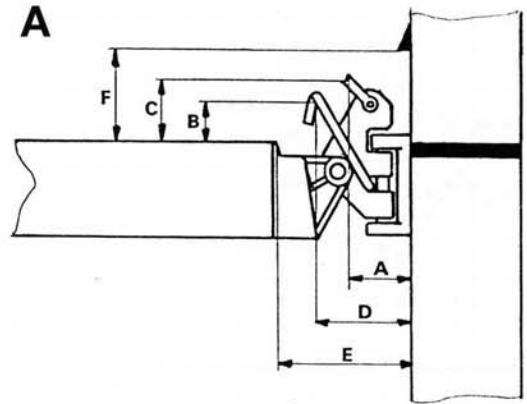


SAILMAKERS INFORMATION

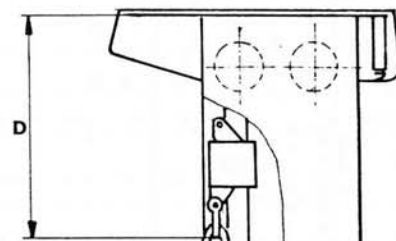
US Spars Supplied By: American Rigging Supply, Inc.

Section	Z 105	Z 125	Z 145	Z 170	Z 190	Z 230	Z 265	Z 301	Z 351	Z 401	Z 501	Z 531	Z 601	Z 701	Z 901	Z 1001	Z 1400
Sail Slide			A0 16	A0 16	A0 16	A0 16	A0 14	A0 14	A0 14	A0 14	A0 14	A0 14	A0 14	A0 14	Sea Sure 04.62 HA 91		
Sail Track	8 mm	8 mm	8 mm	8 mm	8 mm	8 mm	8 mm	8 mm	8 mm	10 mm	10 mm	10 mm	10 mm	10 mm			

Boom	A	B	C	D	E	F
Z 120 Dinghy	20	10	10	20	55	200
Z 120 Cruiser	50	10	20	20	100	200
Z 160	60	30	50	65	130	90
Z 204 Small	30	15	25	65	150	90
Z 204 Large	60	15	45	80	170	90
Z 360	60	10	30	80	190	90
Z 480	60	10	25	100	207	90
Z 690 A	60	60	50	100	230	90
Z 690 B	60		26		230	90



Furling Mast	A	B	C	D	E	F	G	H	Sail Track	Sail Slide for Trysail
Z 230 E	60	150	100	350	800	20	40	-	6 End	-
Z 300 E	60	500	100	400	800	20	40	100	6 End	HA 89
Z 400 E	60	500	100	400	800	35	60	100	6 End	HA 89
Z 500 E	60	500	100	400	800	35	60	100	6 End	HA 89
Z 600 E	60	500	100	400	1000	35	60	100	6 End	Sea Sure 04.62
Z 700 E	60	500	100	450	1000	35	60	100	6 End	Sea Sure 04.62
Z 900 E	60	500	100	450	1200	35	60	100	6 End	Sea Sure 04.62
Z 1100 E	60	500	100	450	1500	35	60	100	6 End	Sea Sure 04.62
Z 1400 E	60	500	100	450	1500	35	60	100	6 End	Sea Sure 04.62



Recommendations for Furling Mast Luff Rope
Maxi 6 mm

Don't forget the 6% slope on the main sail foot.

