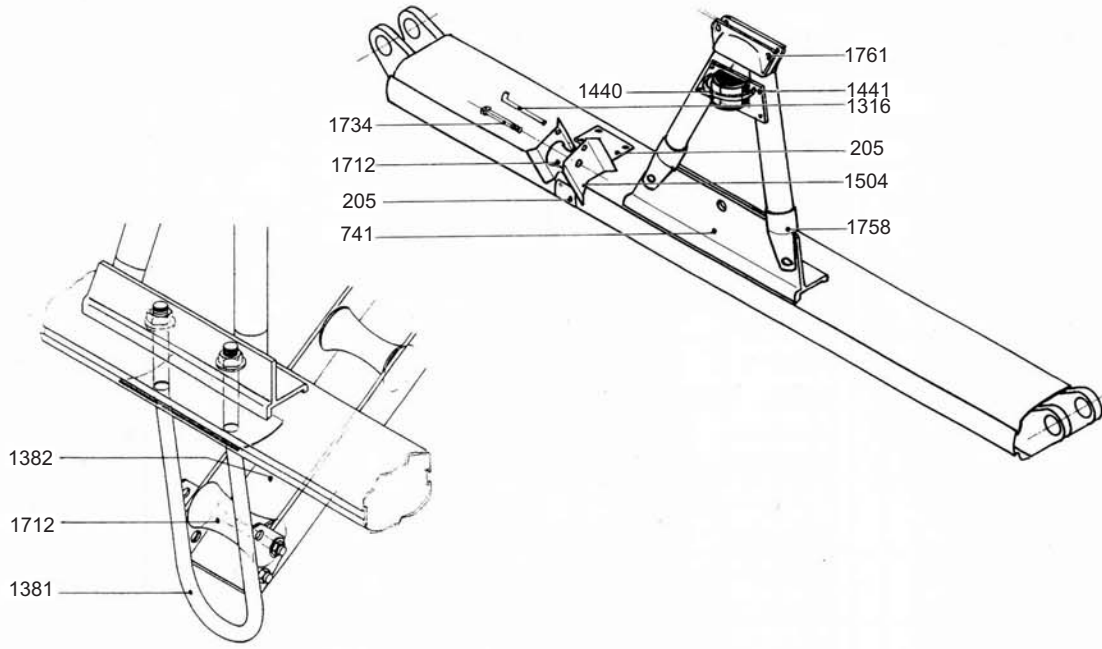


CATAMARAN BEAMS

Supplied By American Rigging Supply, Inc.



Section	Beam Ends Starboard	Beam Ends Port
Z 400		40
Z 600		41
Z 501		40
Z 701		41

TRIANGULATION STRUT TO SPREADER

