

powerclutch

Supplied By American Rigging Supply, Inc.

New XX

secure clutching for high loads

lines 8-12mm (5/16-1/2")
loads up to 1800kg (3970lbs)

XX0812 holds loads 50% higher than any conventional clutch and is smooth and controlled to release.

XX0812 features

The only secure clutch solution for genoa and spinnaker halyards on performance yachts from 35-50 foot

Suitable for secondary applications on larger yachts

Optimised especially for high performance 8-12mm (5/16 - 1/2") line diameters

Fills the **critical** load holding gap between other clutches and the high load ZS jammer

Special **3D wedge** action helps contain full load with minimal rope wear

Roller bearings give safe and controlled release under load

Monocoque alloy box section for absolute overload security

Easy on-deck access for removing complete internal assembly, even when banked

Access ports for fresh water flushing

Line height optimised for correct lead to winch

Silver custom finish available

Side mounting kit available

Now styled to match XTS, XCS and ZS Series



specifications

Model	Line Dia	Max SWL at max line diameter
XX0812	8-12mm (5/16"-1/2")	12mm (1/2") 1800kg (3970lbs)
XX0812/L	8-12mm (5/16"-1/2")	12mm (1/2") 1800kg (3970lbs)
XX0812-SMNT	8-12mm (5/16"-1/2")	12mm (1/2") 1800kg (3970lbs)



XX0812



XX0812/L



XX0812 with XX-SMNT



XX0812/S

high load ropeholding

Supplied By American Rigging Supply, Inc.

XX0812/L lock open version

XX0812/L features

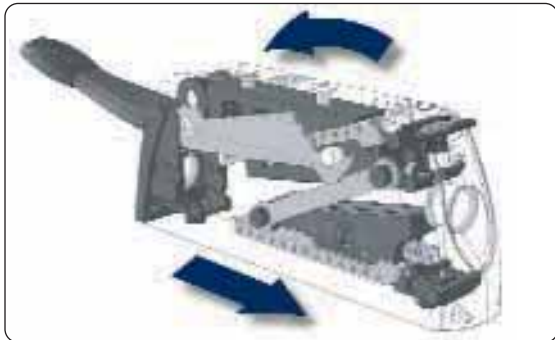
Lock-open jaw version

Allows lines to run freely with handle closed and jaws locked open

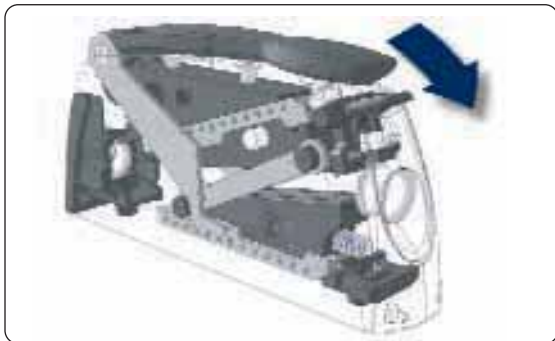
Switch allows jaws to be activated back to clutching mode instantly

Ideal for applications such as spinnaker sheet and mainsheet, where locking off is only occasionally needed

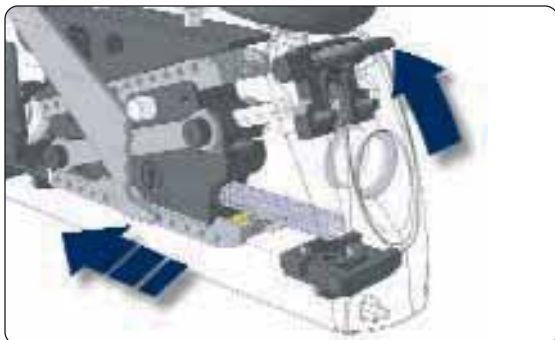
An upgrade kit is available to convert the XX0812 to the lock open version, XX-LCK



Opening handle releases jaws and line runs free



Handle returned to closed position but the jaws remain open allowing the line to run free for trimmers



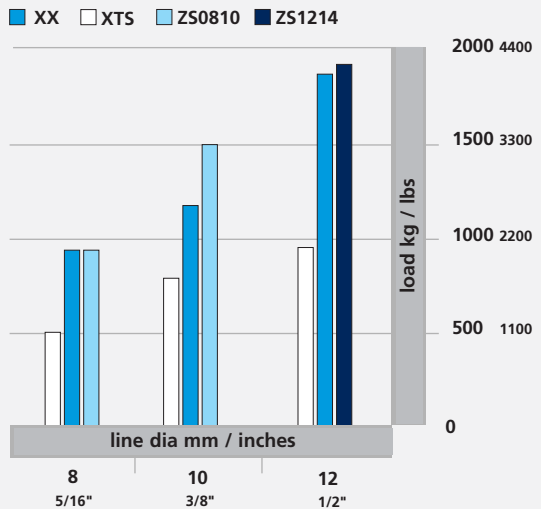
Activating lock releases the jaws back onto the line, securing line under load

XX Powerclutch or ZS Jammer?

Choose XX for working loads / diameters that can't be held reliably with conventional clutches but where the winched release of the ZS is impractical.

Choose ZS for bigger diameters / high loads where winched release is a positive safety feature.

Rope size guide



To increase holding power increase your line diameter (or sleeve the rope tail). Good quality line and larger diameters always give better results.

high load ropeholding