

FURLEX TD

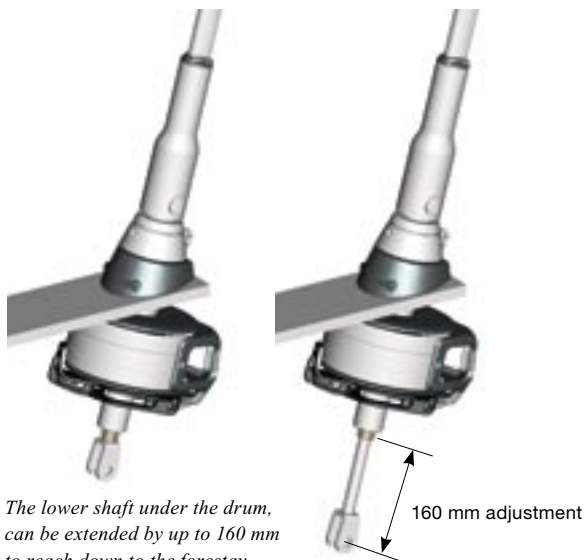
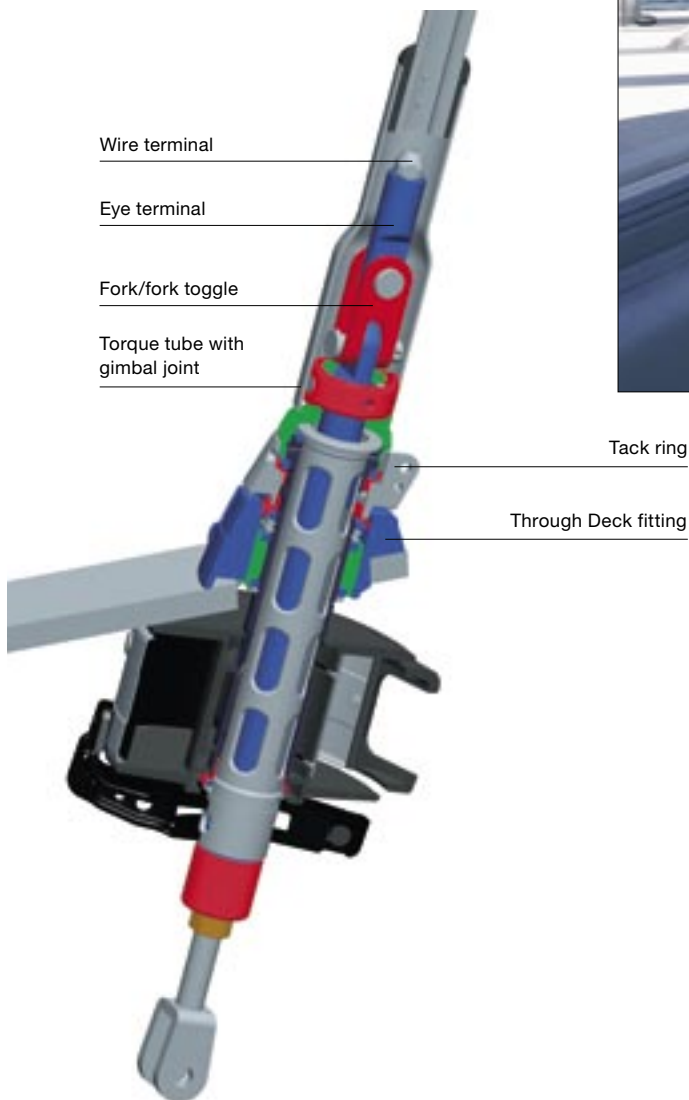
(Through Deck)

Supplied By;
American Rigging Supply, Inc.
www.americanriggingsupply.com

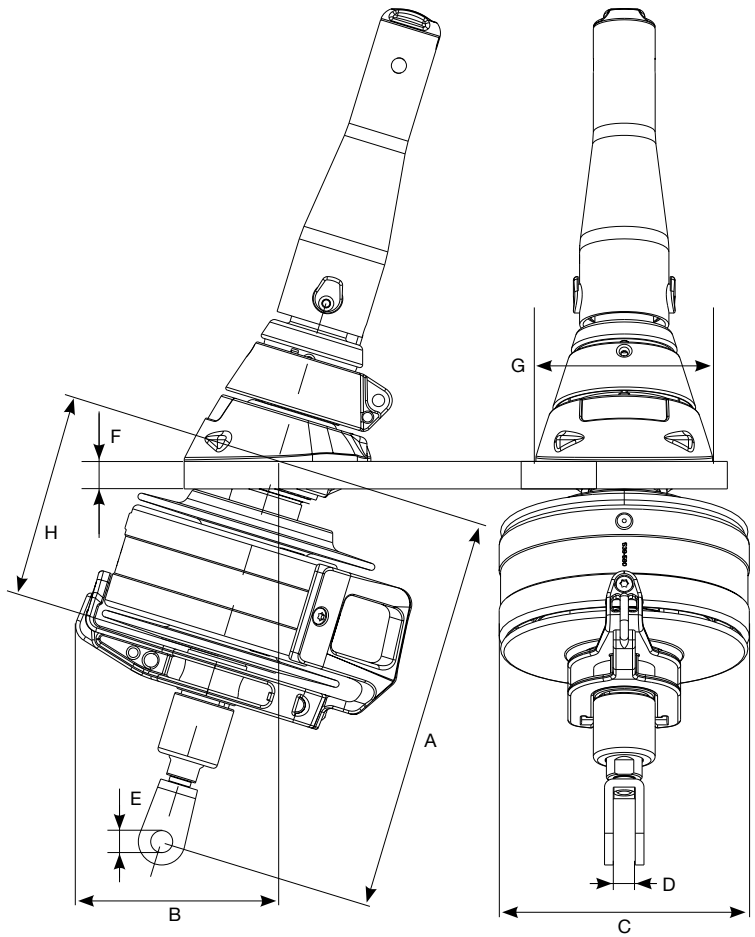
Maximize your luff length and gain performance by a through deck installation. More space on the foredeck will be an extra bonus!

The Furlex TD is designed for mounting through the deck. A torque tube with gimbal joint allows for full toggle articulation of the forestay. With the Furlex TD you avoid having half the ocean splashing into your anchor well. The very small amount of water that seeps through is easily handled by a normal drainage.

The Furlex TD is designed for installation on a wide range of yachts. The lower shaft under the drum, for example, can be extended by up to 160 mm to reach down to the forestay attachment below deck.



The lower shaft under the drum, can be extended by up to 160 mm to reach down to the forestay attachment below deck.



Type	Forestay dimension, mm	Max forestay length (m)*	Art. No.
200TD	6	10.4	031-021-41
	6	12.8	031-021-42
	6	15.2	031-021-43
	7	12.8	031-021-44
	7	15.2	031-021-45
	7	17.6	031-021-46
	8	15.2	031-021-47
	8	17.6	031-021-48
300TD	8	15.2	039-027-41
	8	17.6	039-027-42
	10	15.2	039-027-43
	10	17.6	039-027-44
	10	20.0	039-027-45
400TD	12	17.4	049-034-41
	12	19.8	049-034-42
	12	22.2	049-034-43
	14	19.8	049-034-44
	14	22.2	049-034-45

Type	A mm	B mm	C mm	D, mm (forestay dia., mm)	E, mm (forestay dia., mm)	F max mm	G mm	H mm
200TD	290-450	150	182	14 (6 and 7) 16 (8)	14 (6 and 7) 16 (8)	10	130	150
300TD	330-490	170	214	21.5 (8 and 10)	16 (8 and 10)	10	142	175
400TD	440-630	210	255	22 (12 and 14)	20 (12 and 14)	20	194	210

* From deck to attachment in mast.