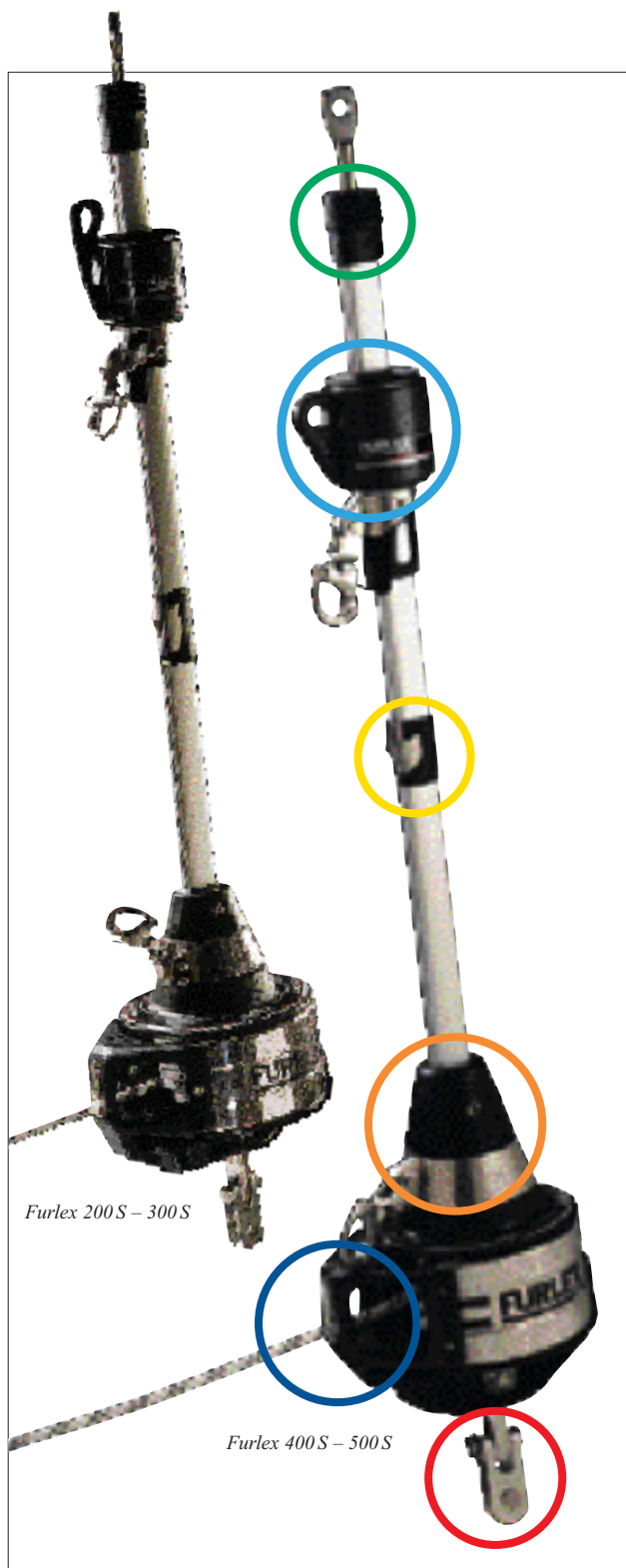


Furlex 200 S to 500 S

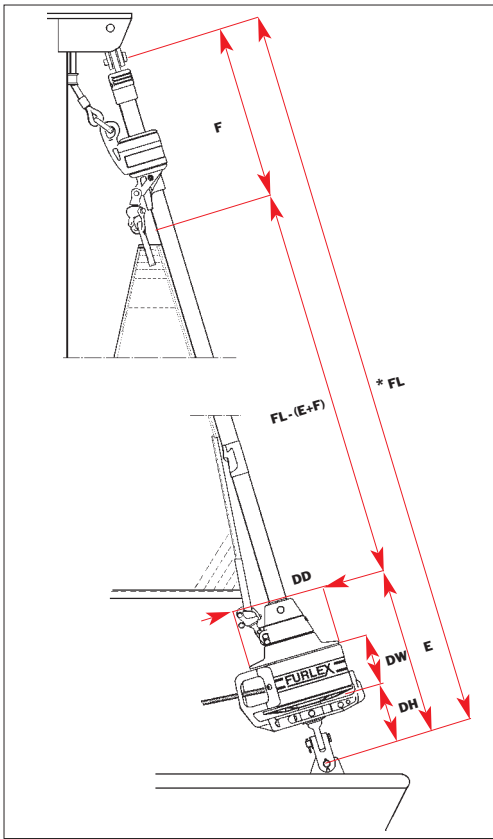
Jib furling and reefing system for yachts from approx. 30 to 70ft

FURLEX
SELDÉN



- Centred and insulated forestay plus completely insulated joining sleeves – makes furling easier, gives less wear with no risk of corrosion.
- Unique, patented ‘load-distributor’ for easy furling and unrivalled bearing durability. Light weight halyard swivel keeps weight aloft to a minimum.
- Highest grade, marine stainless steel SS2343 – for improved durability and service life. Selected components in composite – for the optimum strength to-weight ratio.
- Tack swivel with a ‘free-turn’ combined with the uniform profile of the forestay extrusion will give a perfectly furled sail and effective performance even when reefed. Twin grooves, built-in pre-feeder and a split drum – facilitates sail hoisting, allows for fast sail changes and makes Furlex easily adapted for racing.
- Unique ‘line-guide’ system – controls and centres furling line and arranges it evenly onto the drum.
- Fully integral turnbuckle (optional) for fast and simple forestay adjustment without affecting the uniform profile of the extrusion or the drum height above deck. The turnbuckle adjusts through 60 mm, 80 mm and 100 mm respectively.

 **SELDÉN**

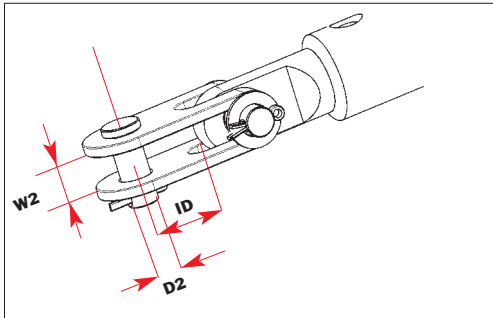


Furlex Series	Forestay dim. mm	Rod Navtec	Rod Riggarna	Rod BSI	Max righting moment (Nm) at 30° heel		Approx. displacement tonnes	
					Masthead rig	Fractional rig	Masthead rig	Fractional rig
200 S	6	-8	-8	-8	19000	23000	3.5	4.5
	7	-10	-10	-10	27000	34000	5.5	7.0
300 S	8	-12	-12, -15	-12, -15	37000	40000	7.5	8.5
	10	-17, -22	-22	-17, -22	70000	75000	14.0	15.0
400 S	12	-30	-30	-30	120000	160000	20.0	26.0
	14	-30, -40	-40	-40	180000	190000	28.0	30.0
500 S	16	-40, -48	-40, -48	-48	230000	250000	38.0	40.0

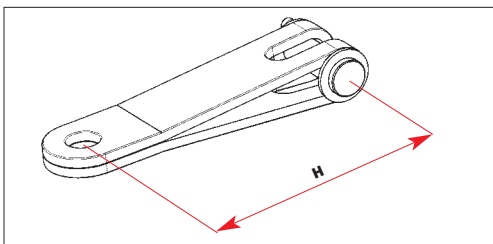
Furlex Series	DH mm	DW mm	DD mm	E mm	F mm	ID mm	W2 mm	D2 Clevis pin Ø mm	Forestay adjustment mm	Extension H mm	Halyard sheave box Part number
200 S	120	94	186	330	440	24	11	10	60	90	505-006-10
	120	94	186	330	440	24	12.5	12	60	90	505-006-10
	120	94	186	330	440	31	15.5	14	60	130	505-012-10
300 S	147	113	216	400	550	31	15.5	14	80	130	505-012-10
	147	113	216	400	550	34	16	14	80	130	505-012-10
400 S	200	140	250	535	620	40	21	19	100	190	505-012-10
	200	140	250	535	620	50	23	22	100	190	505-012-10
500 S	200	140	250	535	620	50	26	22	100	-	505-038-10

Complete system: Main dimensions.

* Existing forestay length.



Furlex standard toggle: Main dimensions.



Extension Link: Used to increase the distance between the lower unit and the deck for a bow anchor etc. In some cases it can also be used when the lower unit is fitted inside the anchor box.

(See manual for more details).

Information on Furlex Hydraulic is available separately. Please ask for details.

Furlex Series	Forestay dimension mm	Max forestay length m	Part. number Without turnbuckle	Part. number With turnbuckle
200 S	6	10.6	031-021-51	031-021-61
	6	13.0	031-021-52	031-021-62
	6	15.4	031-021-53	031-021-63
	7	13.0	031-021-54	031-021-64
	7	15.4	031-021-55	031-021-65
	7	17.8	031-021-56	031-021-66
300 S	8	15.4	031-021-57	031-021-67
	8	17.8	031-021-58	031-021-68
	8	15.5	039-027-51	039-027-61
		17.9	039-027-52	039-027-62
		15.5	039-027-53	039-027-63
400 S	10	17.9	039-027-54	039-027-64
	10	20.3	039-027-55	039-027-65
	12	18.0	049-034-51	049-034-61
		20.4	049-034-52	049-034-62
		22.8	049-034-53	049-034-63
500 S	14	20.4	049-034-54	049-034-64
	14	22.8	049-034-55	049-034-65
16	23.0	060-046-56	060-046-66	
	27.8	060-046-57	060-046-67	

For more information:



www.seldenmast.com

Sweden: Seldén Mast AB, Tel +46 (0)31 69 69 00, e-mail info@seldenmast.com UK: Seldén Mast Ltd., Tel +44 (0)1489 48 40 00, e-mail info@seldenmast.co.uk USA: Seldén Mast Inc., Tel +1 843-760-6278, e-mail info@seldenmast.com Denmark: Seldén Mast A/S, Tel +45 39 18 44 00, e-mail info@seldenmast.dk the Netherlands: Seldén Mid Europe B.V., Tel +31 (0)111-698 120, e-mail info@seldenmast.nl