

# ROPE HARDWARE: THIMBLES

**For More Information Contact;  
American Rigging Supply, Inc.**

## NYLITE™

**PRODUCT CODE:** 964

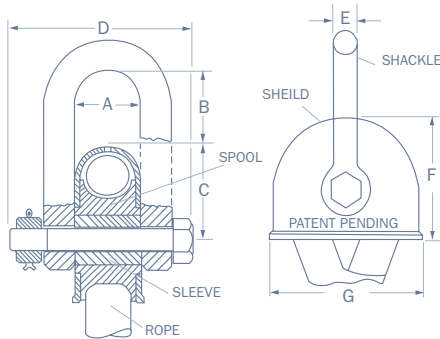
### SPOOLS, SHEILDS AND SHACKLE ASSEMBLY

Unlike conventional thimbles the Nylite Connector Assembly is easily installed into or removed from a pre-made soft eye. Only one-seventh the weight of metal thimbles, Nylite connectors will not deform or rupture from repeated loadings. The Nylite Shackle was designed to take full advantage of the high strength of the Nylite connector and synthetic rope.



#### WORKING DETAILS:

- Working Load in tons (2000 lbs.)
- Working loads, as given, are based on pin/bore relationship provided by use of Nylite Shackle. When using a non-standard pin, the Working Load as given DOES NOT APPLY.
- When using with Class II ropes, upsize to ensure working load compatibility.



\*The Nylite Spool and Shield in sizes 1-5 may be purchased without a shackle (part # 969). Minimum order quantities apply, see net price list for details.

\*The Nylite Shackle sizes 1-9 may be purchased separately (part # 961).

Size	Size Daimeter	Size Circ.	SRT Minimum Eye size	Working Load Tons	Weight Each (Lbs.)	Shield Color
-1	<b>3/8" - 1/2"</b>	1-1/8" - 1-1/2"	2-3/16"	1.1 tn	0.5 lbs.	Blue
-2	<b>9/16" - 5/8"</b>	1-3/4" - 2"	2-3/4"	1.6 tn	1.0 lbs.	Red
-3	<b>3/4" - 13/16"</b>	2-1/4" - 2-1/2"	3-3/4"	2.5 tn	1.6 lbs.	Green
-4	<b>7/8" - 1-1/16"</b>	2-3/4" - 3-1/4"	4-7/8"	4.5 tn	3.7 lbs.	Orange
-5	<b>1-1/8" - 1-5/16"</b>	3-1/2" - 4"	6-1/8"	7.5 tn	6.0 lbs.	Black
-6	<b>1-1/2" - 1-3/4"</b>	4-1/2" - 5-1/2"	7-5/8"	12.5 tn	19.0 lbs.	Yellow
-7	<b>2" - 2-1/4"</b>	6" - 7"	9-3/4"	20.0 tn	24.0 lbs.	Black
-8	<b>2-1/2" - 2-5/8"</b>	7-1/2" - 8"	11-1/4"	25.0 tn	33.0 lbs.	Black
-9	<b>2-3/4" - 3-1/4"</b>	8-1/2" - 10"	14"	35.0 tn	56.0 lbs.	Black

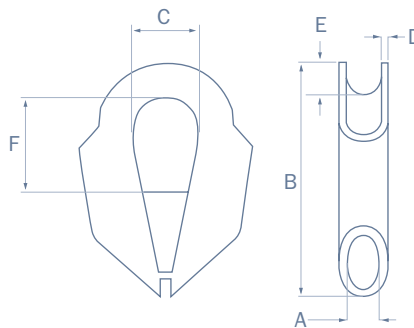
Size	Spool/Sheave Inside Dia.	Spool Sheave Outside Dia.	Pin* Dia.	A	B	C	D	E	F	G
-1	.46"	N/A	.44"	.88"	1.08"	1.11"	2.41"	.38"	1.99"	2.34"
-2	.58"	N/A	.56"	1.13"	1.21"	1.38"	3.11"	.50"	2.38"	2.88"
-3	.64"	N/A	.63"	1.38"	1.61"	1.77"	3.54"	.56"	3.02"	3.70"
-4	.89"	N/A	.88"	1.75"	1.9"	2.29"	4.70"	.75"	3.79"	4.71"
-5	1.02"	N/A	1.00"	2.13"	2.15"	2.85"	5.55"	.88"	4.85"	5.95"
-6	1.54"	N/A	1.50"	2.63"	3.14"	3.80"	7.75"	1.37"	6.30"	7.85"
-7	1.75"	3.00"	1.63"	3.25"	3.75"	4.80"	8.90"	1.50"	7.93"	9.89"
-8	2.00"	3.25"	1.75"	3.75"	4.13"	5.61"	10.13"	1.75"	9.24"	11.47"
-9	2.25"	3.50"	2.00"	4.63"	5.06"	6.95"	12.15"	2.00"	11.45"	14.28"

\*Sizes 1 – 5 are supplied with jam nuts and cotter pins. Larger sizes have cotter pins and standard nuts.

## BLUE LINE THIMBLE

**PRODUCT CODE:** 930

The Blue Line thimble is compatible for use with Samson's high performance - high modulus synthetic fiber rope products such as AmSteel-Blue, Force-8, and DPX 75. The tubular gusseted design creates a high strength thimble that protects the rope and maintains a proper bending radius when connected to mating hardware.



Size Range Dia. Inches	Thimble Weight lbs.	A Inches	B Inches	C Inches	D Inches	E Inches	F Inches	Size Range Dia. MM	A MM	B MM	C MM	D MM	E MM	F MM
<b>3-16" - 3/8"</b>	0.6	.427	3.74	.906	.157	.315	1.89	<b>5mm - 9mm</b>	12	95	23	4.0	8	48
<b>7/16" - 1/2"</b>	1.0	.591	4.29	1.06	.197	.394	1.93	<b>11mm - 16mm</b>	19	125	32	5.0	12	49
<b>9/16" - 5/8"</b>	1.5	.748	4.92	1.26	.197	.472	1.69	<b>14mm - 16mm</b>	19	125	32	5.0	12	43
<b>3/4" - 7/8"</b>	3.0	.984	6.22	1.77	.248	.630	2.32	<b>18mm - 22mm</b>	25	158	45	6.3	16	59
<b>1" - 1-1/8"</b>	6.0	1.38	8.27	2.36	.276	.866	3.66	<b>24mm - 28mm</b>	35	210	60	7.0	22	93
<b>1-1/4" - 1-1/2"</b>	8.0	1.77	9.96	2.76	.276	1.06	3.70	<b>30mm - 36mm</b>	45	253	70	7.0	27	94
<b>1-5/8"</b>	9.3	1.97	11.02	2.95	.276	1.10	3.78	<b>40mm</b>	50	280	75	7.0	28	96

# ROPE HARDWARE: THIMBLES & CHAFE PROTECTION

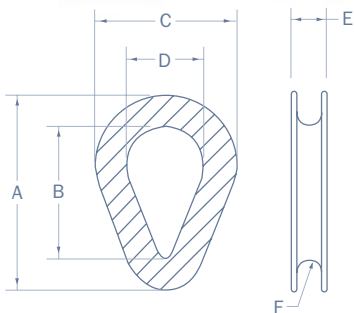
**For More Information Contact;  
American Rigging Supply, Inc.**



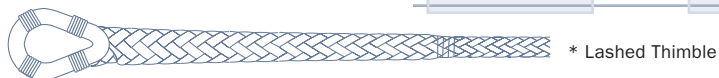
The cast steel extra heavy duty hawser thimble is designed for use with wire rope or high performance synthetic fiber ropes such as Amsteel Blue, Force 8, & DPX 75. The galvanized thimble provides smooth even grooves, maximum strengths at critical areas, and proper bending radius for the rope. When used with synthetic ropes, thimble eye should be lashed at approximately 2, 4, 8, & 10 o'clock on the thimble circumference to secure the thimble to the rope when not in service.

## HEAVY DUTY HAWSER THIMBLE

**PRODUCT CODE:** 933



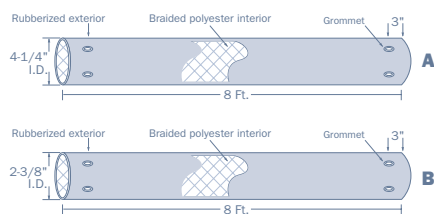
Size Range Dia. Inches	Size Range Dia. MM	Dimensions in Inches						Unit Weight Lbs.
		A	B	C	D	E	F	
5/8" - 3/4"	16 - 18	6.88	4.5	5.0	3.0	1.19	0.41	3.5
7/8" - 1"	22 - 24	8.63	5.75	6.25	3.75	1.44	0.53	6.0
1-1/8" - 1-1/4"	28 - 30	10.13	6.75	7.25	4.25	1.69	0.66	9.5
1-3/8" - 1-1/2"	32 - 36	12.13	8.0	8.75	5.0	2.19	0.78	18.5
1-5/8" - 1-3/4"	40 - 44	12.75	8.0	9.25	5.0	2.44	0.94	24.0
1-7/8" - 2"	45 - 48	14.75	9.5	10.75	6.0	2.69	1.06	33.5
2-1/8" - 2-1/4"	52 - 56	17.13	11.0	12.5	7.0	3.13	1.19	53.5
2-3/8" - 2-1/2"	57 - 60	19.25	12.75	14.25	8.25	3.88	1.38	81.5
2-3/4" - 3"	68 - 72	24.5	15.0	17.0	9.38	4.94	1.63	136.5
3-1/4" - 3-1/2"	80 - 84	30.0	19.5	20.0	11.5	5.5	1.88	216.5



Chafe-Gard protects your synthetic mooring lines from chock wear which adds service life performance and reliability. These benefits are due to the unique design of a tubular braided polyester structure that is externally coated with a highly wear resistant rubberized compound. Mooring lines are allowed to adjust under tension on the inner polyester braided liner and the rubberized outer covering minimizes the overall Chafe-Gard movement in the chock based on its high frictional characteristics. Each end of the Chafe-Gard unit has sets of grommets for the attachment of control lines for tying off to deck or bulwark cleats.

## CHAFE-GARD

**PRODUCT CODE:** 999



Mooring Line Application	Model Type	Rope Dia. Size Range	SRT Part #	Avg. Unit Weight Lbs.
Primary Mooring Lines	A	1-1/8" - 2"	999 601 100 019	2.8
Secondary Mooring Lines	B	2" - 3"	999 601 200 019	5.2



## EXTEND YOUR ROPE'S SERVICE LIFE BY PROTECTING IT WITH THE MOST CUT AND WEAR RESISTANT MATERIAL AVAILABLE.

Pro-Gard Eye and Rope Protectors are constructed of dual woven fabric layers of treated HMPE fiber materials. The finer inner fabric layer allows the rope to adjust to load while the thick outer wear fabric layer has a high coefficient of friction treatment to minimize movement on the contact surface. Both the eye and rope protectors are easily installed in the field on functioning ropes due to the unique attachment/closure system. The protectors are flexible, light weight, don't absorb water and float.

Rope Diameter Range (Inches)	Model Reference
1/2" - 5/8"	A
3/4" - 1"	B
1-1/8" - 1-3/4"	C
1-7/8" - 2-1/2"	D
2-5/8" - 3-1/4"	E

### WORKING DETAILS:

- Grommets installed for ease of securement
- Eye protector gusseted for custom fit
- Eye protectors sold in five standard leg lengths for all models: 20", 30", 40", 50", & 60"
- Rope protectors sold in standard 10 Ft. (3 Meter) lengths

## PRO-GARD EYE & ROPE PROTECTOR

**PRODUCT CODE:** 973  
(Eye Protector)



Pro-Gard Rope Protector also available for mooring lines.

**PRODUCT CODE:** 974  
(Rope Protector)

# SAMTHANE COATING

*For More Information Contact;  
American Rigging Supply, Inc.*

## SAMTHANE™

SAMTHANE COATINGS ARE A FAMILY OF ABRASION RESISTANT COATINGS SPECIFICALLY FORMULATED TO MATCH END-USER REQUIREMENTS AND SPECIFIC ROPE CONSTRUCTIONS. THE ADVANTAGES AND DIFFERENCES OF THESE COATINGS ARE OUTLINED BELOW.

### SAMTHANE (TYPE A)

Spliceable coating used on polyester double braids. Samthane Type A greatly enhances abrasion resistance. It also makes splicing used rope much easier. Available in a variety of colors for easy identification, tracking time in service, keying colors to specific operations, etc. Splices new and used utilizing the same tools and techniques for splicing uncoated rope. Coating adds approximately 3% to 5% weight to the line.

### SAMTHANE (TYPE F)

Spliceable coating specially formulated for coating olefin/polyester blend ropes. Physical properties are the same as for Type A coating. Coating adds approximately 3% to 5% weight to the line.

### SAMTHANE (TYPE S)

Spliceable coating used on HMPE, olefin and polyester fiber ropes. This coating adds firmness and greatly improves wear life. The coating will add approximately 3% - 5% weight to the rope.

### SAMTHANE (TYPE C)

Non-spliceable jacketing type coating usually applied to specific sections of a line that will be subjected to extreme abrasion. The coating is very tough, with excellent resistance to cutting and chaffing. Usually applied to a thickness of 1/8" or more, which has a stiffening effect on the rope. This coating is applied to pre-spliced ropes and may also be used for thimble encapsulation.



## SAMTHANE COATING DESCRIPTIONS

PROPERTY	Type A	Type F	Type S	Type C
Spliceability	Yes	Yes	Yes	No
Shore Hardness	NA	NA	NA	85 A
Break Strength	2,500 psi	2,500 psi	5,000 psi	5,400 psi
Elongation at Break	610%	610%	250%	450%
Modulus at 300%	600 psi	600 psi	NA	1,900 psi
Type	Waterborne Polyurethane	Waterborne Polyurethane	Waterborne Polyurethane	2-part Polyurethane

### ADVANTAGES:

- Improves service life
- Reduces snagging
- Enhances abrasion resistance
- Prevents contamination
- Reduces cutting
- Color-coding for identification

