

Supplied By: American Rigging Supply, Inc.

www.americanriggingsupply.com

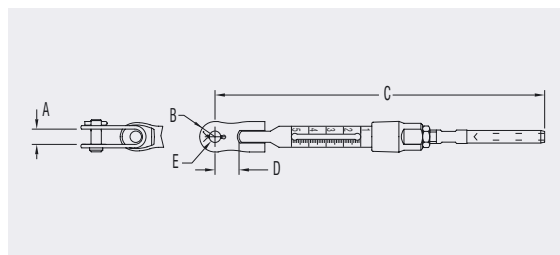
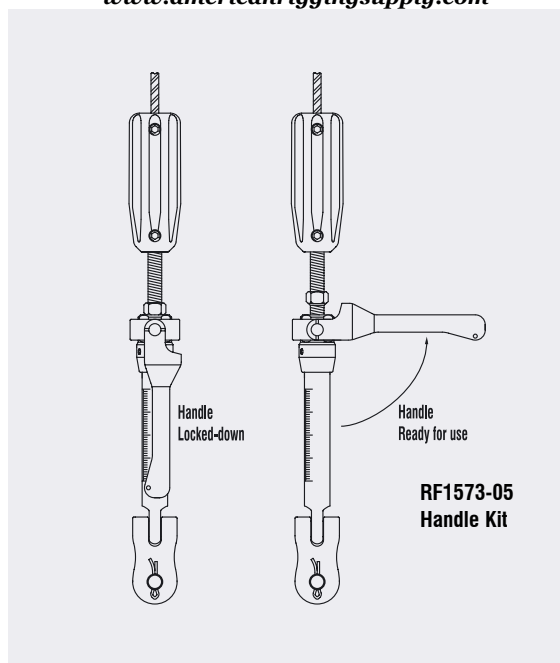


SWAGE

TOGGLE



RF1573-05



FEATURES

- ▶ Laser etched calibration marks allow accurate, repeatable settings for precise adjustment and tuning of rig tension.
- ▶ Tapered lock nut locks the threaded terminal in position without split pins – nothing to catch on sails, and no tape required.
- ▶ Coupling nut remains free to rotate on the body with no effect on rig tension, reducing wire fatigue. The coupling nut is manufactured in AISi Bronze, to prevent thread seizure (galling) with stainless body and threaded swage terminal.
- ▶ Handle kit allows rapid adjustment of rig settings without tools.



**REPLACEMENT
R/H LOCK NUT
Product No.**

**THREAD
U.N.F.
in.**

| | |
|-----------|------|
| RF1515-04 | 1/4 |
| RF1515-05 | 5/16 |
| RF1515-06 | 3/8 |
| RF1515-08 | 1/2 |

| WIRE Diam. | PRODUCT No. | THREAD TYPE | A mm | (in.) | B mm | (in.) | C MIN mm | (in.) | C MAX mm | (in.) | D mm | (in.) | E mm | (in.) | B.L. kg | (lb) | WEIGHT g | (oz) |
|--|----------------|----------------|---------|---------|---------|---------|-------------|-----------|-------------|------------|---------|----------|---------|--------|------------|---------|-------------|--------|
| Toggle – Metric Swage | | | | | | | | | | | | | | | | | | |
| 3mm | RF1575M0304 | 1/4" UNF | 8.3 | (5/16) | 8 | (5/16) | 180 | (7 3/32) | 235 | (9 1/4) | 15 | (19/32) | 6.4 | (1/4) | 1630 | (3590) | 110 | (3.9) |
| 4mm | RF1575M0404 | 1/4" UNF | 8.3 | (5/16) | 8 | (5/16) | 188 | (13/32) | 243 | (9 9/16) | 15 | (19/32) | 6.4 | (1/4) | 1630 | (3590) | 115 | (4.1) |
| 4mm | RF1575M0405 | 5/16" UNF | 9.4 | (3/8) | 11 | (7/16) | 206 | (8 1/8) | 271 | (10 11/16) | 20 | (25/32) | 7.9 | (5/16) | 2250 | (4960) | 190 | (6.7) |
| 5mm | RF1575M0505 | 5/16" UNF | 9.4 | (3/8) | 11 | (7/16) | 219 | (8 5/8) | 284 | (11 3/16) | 20 | (25/32) | 7.9 | (5/16) | 2250 | (4960) | 196 | (6.9) |
| 5mm | RF1575M0506 | 3/8" UNF | 10.5 | (13/32) | 11 | (7/16) | 239 | (9 13/32) | 319 | (12 9/16) | 22 | (7/8) | 9.5 | (3/8) | 3350 | (7390) | 301 | (10.6) |
| 6mm | RF1575M0608 | 1/2" UNF | 13.6 | (17/32) | 17.5 | (11/16) | 316 | (12 7/16) | 426 | (16 25/32) | 28 | (1 3/32) | 12.7 | (1/2) | 5430 | (1170) | 725 | (25.6) |
| Toggle – Imperial Swage | | | | | | | | | | | | | | | | | | |
| 1/8 in. | RF1574-0404 | 1/4" UNF | 8.3 | (5/16) | 8 | (5/16) | 180 | (7 3/32) | 235 | (9 1/4) | 15 | (19/32) | 6.4 | (1/4) | 1630 | (3590) | 110 | (3.9) |
| 5/32 in. | RF1574-0504 | 1/4" UNF | 8.3 | (5/16) | 8 | (5/16) | 188 | (7 13/32) | 243 | (9 9/16) | 15 | (19/32) | 6.4 | (1/4) | 1630 | (3590) | 115 | (4.1) |
| 5/32 in. | RF1574-0505 | 5/16" UNF | 9.4 | (3/8) | 11 | (7/16) | 206 | (8 1/8) | 271 | (10 11/16) | 20 | (25/32) | 7.9 | (5/16) | 2250 | (4960) | 195 | (6.9) |
| 3/16 in. | RF1574-0605 | 5/16" UNF | 9.4 | (3/8) | 11 | (7/16) | 219 | (8 5/8) | 284 | (11 3/16) | 20 | (25/32) | 7.9 | (5/16) | 2250 | (4960) | 196 | (6.9) |
| 3/16 in. | RF1574-0606 | 3/8" UNF | 10.5 | (13/32) | 11 | (7/16) | 239 | (9 13/32) | 319 | (12 9/16) | 22 | (7/8) | 9.5 | (3/8) | 3350 | (7390) | 301 | (10.6) |
| 7/32 in. | RF1574-0706 | 3/8" UNF | 10.5 | (13/32) | 14 | (9/16) | 245 | (9 21/32) | 325 | (12 13/16) | 22 | (7/8) | 9.5 | (3/8) | 3350 | (7390) | 311 | (11.0) |
| 1/4 in. | RF1574-0808 | 1/2" UNF | 13.6 | (17/32) | 17.5 | (11/16) | 316 | (12 7/16) | 426 | (16 25/32) | 28 | (1 3/32) | 12.7 | (1/2) | 5430 | (11970) | 735 | (25.9) |
| Handle Kit | | | | | | | | | | | | | | | | | | |
| RF1573-05 Handle kit, suits 5/16" threaded turnbuckle | | | | | | | | | | | | | | | | 75 | (2.6) | |
| Features long rotation arm for maximum tensioning leverage, and lift and re-position operation for ease of use or when rotation space is restricted. Rotation arm snaps into snag-free lock down position when not in use. | | | | | | | | | | | | | | | | | | |

Supplied By; American Rigging Supply, Inc.

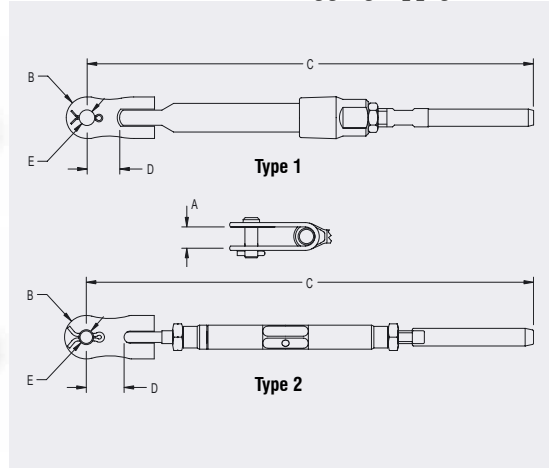
www.americanriggingsupply.com



Type 1



Type 2



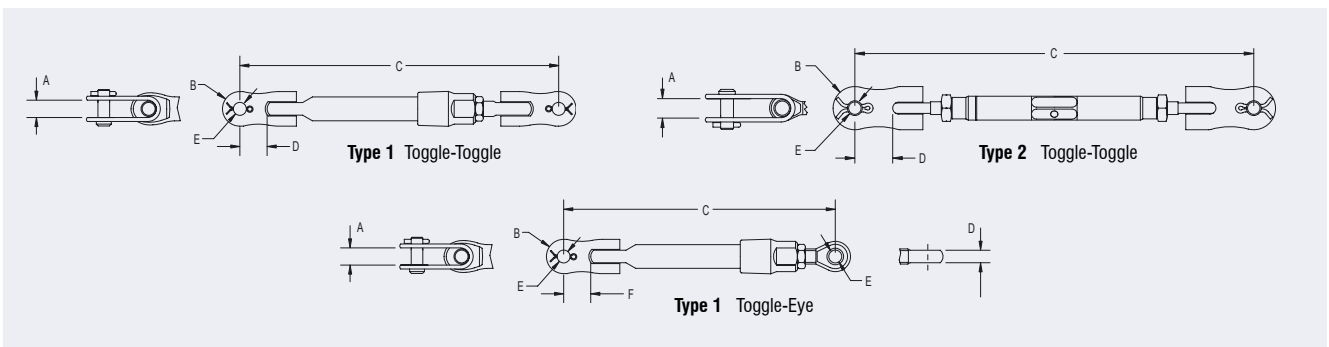
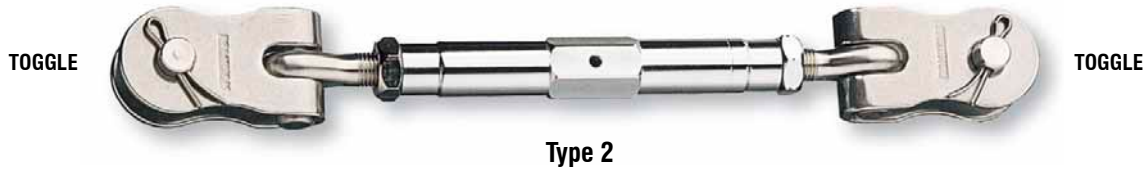
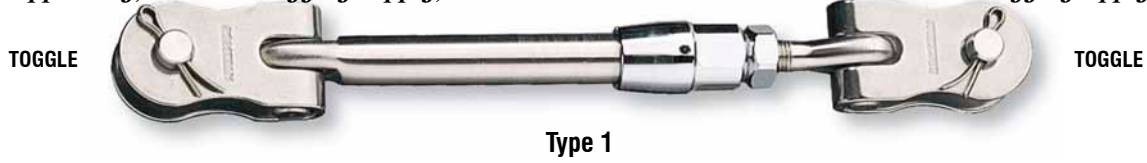
| TYPE | WIRE DIAM. | PRODUCT No. | THREAD TYPE | A mm | A (in.) | B mm | B (in.) | C MIN. mm | C MIN. (in.) | C MAX. mm | C MAX. (in.) | D mm | D (in.) | E mm | E (in.) | B.L. kg | B.L. (lb) | WEIGHT g | WEIGHT (oz) |
|--------------------------------|------------|---------------|-------------|------|---------|------|-----------|-----------|--------------|-----------|--------------|------|-----------|------|---------|---------|-----------|----------|-------------|
| Toggle - Metric Swage | | | | | | | | | | | | | | | | | | | |
| Type 2 | 2.5mm | RF1579M2.503* | 3/16" UNF | 4.8 | (3/16) | 6.4 | (1/4) | 135 | (3 3/8) | 188 | (7 3/8) | 11 | (7/16) | 4.8 | (3/16) | 890 | (1960) | 44 | (1.6) |
| Type 1 | 3mm | RF1578M0304 | 1/4" UNF | 8.3 | (5/16) | 8.0 | (5/16) | 180 | (7 1/16) | 235 | (9 1/4) | 15 | (9/16) | 6.4 | (1/4) | 1630 | (3590) | 120 | (4.2) |
| Type 1 | 4mm | RF1578M0404 | 1/4" UNF | 8.3 | (5/16) | 8.0 | (5/16) | 188 | (7 3/16) | 243 | (9 9/16) | 15 | (9/16) | 6.4 | (1/4) | 1630 | (3590) | 120 | (4.2) |
| Type 1 | 4mm | RF1578M0405 | 5/16" UNF | 9.4 | (3/8) | 11.0 | (7/16) | 206 | (8 1/8) | 271 | (10 11/16) | 20 | (13/16) | 7.9 | (5/16) | 2250 | (4950) | 201 | (7.1) |
| Type 1 | 5mm | RF1578M0504** | 1/4" UNF | 8.3 | (5/16) | 8.0 | (5/16) | 184 | (7 1/4) | 239 | (9 7/16) | 15 | (9/16) | 6.4 | (1/4) | 1630 | (3590) | 126 | (4.4) |
| Type 1 | 5mm | RF1578M0505 | 5/16" UNF | 9.4 | (3/8) | 11.0 | (7/16) | 219 | (8 5/8) | 284 | (11 3/16) | 20 | (13/16) | 7.9 | (5/16) | 2250 | (4950) | 201 | (7.1) |
| Type 1 | 5mm | RF1578M0506 | 3/8" UNF | 10.5 | (13/32) | 11.0 | (7/16) | 239 | (9 7/16) | 319 | (12 9/16) | 22 | (7/8) | 9.5 | (3/8) | 3350 | (7370) | 301 | (10.6) |
| Type 1 | 6mm | RF1578M0607 | 7/16" UNF | 12.4 | (1/2) | 15.5 | (10/16) | 291 | (11 7/16) | 386 | (15 3/16) | 24 | (15/16) | 11.1 | (7/16) | 4130 | (9020) | 515 | (18.2) |
| Type 1 | 6mm | RF1578M0608 | 1/2" UNF | 13.6 | (17/32) | 17.5 | (11/16) | 316 | (12 7/16) | 426 | (16 3/4) | 28 | (1 1/8) | 12.7 | (1/2) | 5430 | (11950) | 725 | (25.6) |
| Type 1 | 7mm | RF1578M0708 | 1/2" UNF | 13.6 | (17/32) | 17.5 | (11/16) | 327 | (12 7/8) | 437 | (17 3/16) | 28 | (1 1/8) | 12.7 | (1/2) | 5430 | (11950) | 750 | (26.5) |
| Type 1 | 8mm | RF1578M0808 | 1/2" UNF | 13.6 | (17/32) | 17.5 | (11/16) | 336 | (13 1/4) | 446 | (17 9/16) | 28 | (1 1/8) | 12.7 | (1/2) | 5430 | (11950) | 780 | (27.5) |
| Type 1 | 8mm | RF1578M0810 | 5/8" UNF | 17.0 | (5/8) | 20.0 | (13/16) | 411 | (16 3/16) | 551 | (21 3/4) | 41 | (1 5/8) | 15.9 | (5/8) | 8700 | (19140) | 1480 | (52.2) |
| Type 1 | 10mm | RF1578M1010 | 5/8" UNF | 17.0 | (5/8) | 20.0 | (13/16) | 431 | (17) | 571 | (22 1/2) | 41 | (1 5/8) | 15.9 | (5/8) | 8700 | (19140) | 1525 | (53.8) |
| Type 2 | 12mm | RF1579M1212 | 3/4" UNF | 20.0 | (3/4) | 24.0 | (15/16) | 467 | (18 3/8) | 577 | (22 3/4) | 45 | (1 3/4) | 19.0 | (3/4) | 12650 | (27830) | 2060 | (72.7) |
| Type 2 | 14mm | RF1579M1414 | 7/8" UNF | 28.7 | (1 1/8) | 29.0 | (1 1/8) | 539 | (21 1/4) | 664 | (26 1/8) | 45 | (1 3/4) | 22.2 | (7/8) | 17250 | (37950) | 3050 | (107.6) |
| Type 2 | 16mm | RF1579M1616 | 1" UNF | 27.6 | (1 1/8) | 30.0 | (1 3/16) | 622 | (24 1/2) | 752 | (29 5/8) | 59 | (2 5/16) | 25.4 | (1) | 22510 | (49520) | 5400 | (190.5) |
| Type 2 | 19mm | RF1579M1920 | 1 1/4" UNF | 37.0 | (1 3/8) | 42.0 | (1 11/16) | 762 | (30) | 882 | (34 3/4) | 74 | (2 15/16) | 31.8 | (1 1/4) | 36330 | (79929) | 11180 | (394.3) |
| Type 2 | 22mm | RF1579M2220 | 1 1/4" UNF | 37.0 | (1 3/8) | 42.0 | (1 11/16) | 791 | (31 1/8) | 911 | (35 7/8) | 74 | (2 15/16) | 31.8 | (1 1/4) | 36330 | (79929) | 11710 | (413.0) |
| Type 2 | 26mm | RF1579M2622 | 1 3/8" UNF | 37.0 | (1 3/8) | 47.0 | (1 7/8) | 977 | (38 1/2) | 1267 | (49 7/8) | 75 | (2 31/32) | 34.9 | (1 3/8) | 43500 | (95700) | 19110 | (674.0) |
| Toggle - Imperial Swage | | | | | | | | | | | | | | | | | | | |
| Type 1 | 1/8 in. | RF1576-0404 | 1/4" UNF | 8.3 | (5/16) | 8.0 | (5/16) | 180 | (7 1/6) | 235 | (9 1/4) | 15 | (9/16) | 6.4 | (1/4) | 1630 | (3590) | 120 | (4.2) |
| Type 1 | 5/32 in. | RF1576-0504 | 1/4" UNF | 8.3 | (5/16) | 8.0 | (5/16) | 188 | (7 7/16) | 243 | (9 9/16) | 15 | (9/16) | 6.4 | (1/4) | 1630 | (3590) | 120 | (4.2) |
| Type 1 | 5/32 in. | RF1576-0505 | 5/16" UNF | 9.4 | (3/8) | 11.0 | (7/16) | 206 | (8 1/8) | 271 | (10 11/16) | 20 | (13/16) | 7.9 | (5/16) | 2250 | (4950) | 190 | (6.7) |
| Type 1 | 3/16 in. | RF1576-0604** | 1/4" UNF | 8.3 | (5/16) | 8.0 | (5/16) | 184 | (7 1/4) | 239 | (9 7/16) | 15 | (9/16) | 6.4 | (1/4) | 1630 | (3590) | 126 | (4.4) |
| Type 1 | 3/16 in. | RF1576-0605 | 5/16" UNF | 9.4 | (3/8) | 11.0 | (7/16) | 219 | (8 5/8) | 284 | (11 3/16) | 20 | (13/16) | 7.9 | (5/16) | 2250 | (4950) | 201 | (7.1) |
| Type 1 | 3/16 in. | RF1576-0606 | 3/8" UNF | 10.5 | (13/32) | 11.0 | (7/16) | 239 | (9 7/16) | 319 | (12 9/16) | 22 | (7/8) | 9.5 | 3/8 | 3350 | (7370) | 301 | (10.6) |
| Type 1 | 7/32 in. | RF1576-0706 | 3/8" UNF | 10.5 | (13/32) | 14.0 | (9/16) | 245 | (9 5/8) | 325 | (12 13/16) | 22 | (7/8) | 9.5 | (3/8) | 3350 | (7370) | 321 | (11.3) |
| Type 1 | 1/4 in. | RF1576-0808 | 1/2" UNF | 13.6 | (17/32) | 17.5 | (11/16) | 316 | (12 7/16) | 426 | (16 3/4) | 28 | (1 1/8) | 12.7 | (1/2) | 5430 | (11950) | 735 | (25.9) |
| Type 1 | 9/32 in. | RF1576-0908 | 1/2" UNF | 13.6 | (17/32) | 17.5 | (11/16) | 326 | (12 7/8) | 436 | (17 3/16) | 28 | (1 1/8) | 12.7 | (1/2) | 5430 | (11950) | 760 | (26.8) |
| Type 1 | 5/16 in. | RF1576-1008 | 1/2" UNF | 13.6 | (17/32) | 17.5 | (11/16) | 333 | (13 1/8) | 446 | (17 9/16) | 28 | (1 1/8) | 12.7 | (1/2) | 5430 | (11950) | 780 | (27.5) |
| Type 1 | 5/16 in. | RF1576-1010 | 5/8" UNF | 17.0 | (21/32) | 20.0 | (13/16) | 411 | (16 3/16) | 551 | (21 3/4) | 41 | (1 5/8) | 15.9 | (5/8) | 8700 | (19140) | 1480 | (52.2) |
| Type 1 | 3/8 in. | RF1576-1210 | 5/8" UNF | 17.0 | (21/32) | 20.0 | (13/16) | 430 | (16 15/16) | 570 | (22 7/16) | 41 | (1 5/8) | 15.9 | (5/8) | 8700 | (19140) | 1520 | (53.6) |
| Type 2 | 7/16 in. | RF1577-1412 | 3/4" UNF | 20.0 | (3/4) | 24.0 | (15/16) | 460 | (18 1/8) | 570 | (22 7/16) | 45 | (1 3/4) | 19.0 | (3/4) | 12650 | (27830) | 2040 | (72.0) |
| Type 2 | 1/2 in. | RF1577-1614 | 7/8" UNF | 28.7 | (1 1/8) | 29.0 | (1 1/8) | 530 | (20 7/8) | 655 | (25 3/4) | 45 | (1 3/4) | 22.2 | (7/8) | 17250 | (37950) | 3020 | (106.0) |
| Type 2 | 9/16 in. | RF1577-1816 | 1" UNF | 27.6 | (1 1/8) | 29.0 | (1 1/8) | 599 | (23 5/8) | 729 | (28 3/4) | 45 | (1 3/4) | 22.2 | (7/8) | 22510 | (49520) | 5240 | (184.8) |
| Type 2 | 5/8 in. | RF1577-2016 | 1" UNF | 27.6 | (1 1/8) | 30.0 | (1 3/16) | 625 | (24 5/8) | 755 | (29 3/4) | 59 | (2 5/16) | 25.4 | (1) | 22510 | (49520) | 5410 | (190.8) |
| Type 2 | 3/4 in. | RF1577-2420 | 1 1/4" UNF | 37.0 | (1 3/8) | 42.0 | (1 11/16) | 770 | (30 5/16) | 890 | (35) | 74 | (2 15/16) | 31.8 | (1 1/4) | 36330 | (79929) | 11230 | (396.1) |
| Type 2 | 7/8 in. | RF1577-2820 | 1 1/4" UNF | 37.0 | (1 3/8) | 42.0 | (1 11/16) | 810 | (31 7/8) | 930 | (36 5/8) | 74 | (2 15/16) | 31.8 | (1 1/4) | 36330 | (79929) | 11830 | (417.2) |
| Type 2 | 1 in. | RF1577-3222 | 1 3/8" UNF | 37.0 | (1 3/8) | 47.0 | (1 7/8) | 986 | (38 7/8) | 1276 | (50 1/4) | 75 | (2 31/32) | 34.9 | (1 3/8) | 43500 | (95700) | 19200 | (677.2) |

* RF1579M2.503 has a Fork end, not Toggle ** Recommended for lifeline applications only. B.L. is below the rated B.L. of 3/16" and 5mm wire



Supplied By: American Rigging Supply, Inc.

www.americanriggingsupply.com



| REPLACEMENT LOCK NUTS | TO SUIT TYPE 1 TURNBUCKLES | | TO SUIT TYPE 2 TURNBUCKLES | | |
|-----------------------|----------------------------|--------------|----------------------------|--------------|--------------|
| | THREAD | R/H LOCK NUT | THREAD | R/H LOCK NUT | L/H LOCK NUT |
| | 1/4 | RF1515-04 | 3/16 | RF1516-03 | RF1517-03 |
| | 5/16 | RF1515-05 | 3/4 | RF1516-12 | RF1517-12 |
| | 3/8 | RF1515-06 | 7/8 | RF1516-14 | RF1517-14 |
| | 7/16 | RF1515-07 | 1 | RF1516-16 | RF1517-16 |
| | 1/2 | RF1515-08 | 1 1/4 | RF1516-20 | RF1517-20 |
| | 5/8 | RF1515-10 | 1 3/8 | RF1516-22 | RF1517-22 |

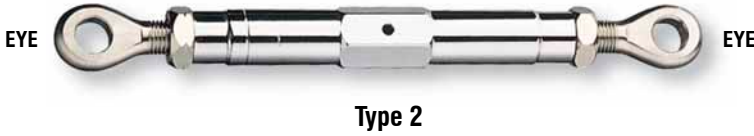
| TYPE | WIRE DIAM. mm (in.) | PRODUCT No. | THREAD TYPE | A mm (in.) | B mm (in.) | C MIN. mm (in.) | C MAX. mm (in.) | D mm (in.) | E mm (in.) | F mm (in.) | B.L. kg (lb) | WEIGHT g (oz) |
|------------------------|------------------------|-------------|-------------|---------------|---------------|--------------------|--------------------|---------------|---------------|---------------|-----------------|-----------------------------|
| Toggle - Toggle | | | | | | | | | | | | |
| Type 1 | 3-4 | (1/8) | RF1582 | 1/4" UNF | 8.1 (5/16) | 8.0 (5/16) | 155 (6 1/8) | 210 (8 1/4) | 15 (9/16) | 6.4 (1/4) | - - | 1630 (3590) 150 (5.3) |
| Type 1 | 4-5 | (5/32-3/16) | RF1583 | 5/16" UNF | 9.3 (3/8) | 11.0 (7/16) | 185 (7 5/16) | 250 (9 13/16) | 20 (13/16) | 7.9 (5/16) | - - | 2250 (4950) 250 (8.8) |
| Type 1 | 5 | (3/16-7/32) | RF1584 | 3/8" UNF | 10.4 (13/32) | 14.0 (9/16) | 220 (8 11/16) | 300 (11 4/5) | 22 (7/8) | 9.5 (3/8) | - - | 3350 (7370) 410 (14.5) |
| Type 1 | 6-8 | (1/4-5/16) | RF1586 | 1/2" UNF | 13.5 (17/32) | 17.5 (11/16) | 285 (11 1/4) | 395 (15 9/16) | 28 (1 1/8) | 12.7 (1/2) | - - | 5430 (11950) 860 (30.3) |
| Type 1 | 8-10 | (5/8) | RF1588 | 5/8" UNF | 17.0 (21/32) | 21.0 (53/64) | 378 (14 7/8) | 508 (20) | 41 (1 5/8) | 15.7 (5/8) | - - | 8700 (19140) 1640 (57.8) |
| Type 2 | 10-12 | (3/8-7/16) | RF1593 | 3/4" UNF | 19.9 (3/4) | 33.0 (1 5/16) | 405 (15 15/16) | 510 (20 1/8) | 45 (1 3/4) | 19.0 (3/4) | - - | 12650 (27830) 2480 (87.5) |
| Type 2 | 13-14 | (1/2-9/16) | RF1594 | 7/8" UNF | 28.2 (1 1/8) | 29.0 (1 1/8) | 470 (18 1/2) | 590 (23 1/4) | 45 (1 3/4) | 22.2 (7/8) | - - | 17250 (37950) 3725 (131.0) |
| Type 2 | 16-18 | (5/8-3/4) | RF1595 | 1" UNF | 28.8 (1 1/8) | 30.0 (1 3/16) | 552 (21 3/4) | 672 (26 1/2) | 59 (2 5/16) | 25.4 (1) | - - | 22510 (49522) 6610 (233.0) |
| Type 2 | 20-22 | (3/4-7/8) | RF1596 | 1 1/4" UNF | 36.0 (1 3/8) | 42.0 (1 11/16) | 680 (26 13/16) | 800 (31 1/2) | 74 (2 15/16) | 32.0 (1 1/4) | - - | 36330 (79926) 13510 (477.0) |
| Type 2 | 24-26 | (1) | RF1597 | 1 3/8" UNF | 36.0 (1 3/8) | 47.0 (1 7/8) | 818 (32 7/32) | 1175 (46 1/4) | 75 (2 31/32) | 34.9 (1 3/8) | - - | 43500 (95700) 22040 (777.0) |

| TYPE | WIRE DIAM. mm (in.) | PRODUCT No. | THREAD TYPE | A mm (in.) | B mm (in.) | C MIN. mm (in.) | C MAX. mm (in.) | D mm (in.) | E mm (in.) | F mm (in.) | B.L. kg (lb) | WEIGHT g (oz) |
|---------------------|------------------------|-------------|-------------|---------------|---------------|--------------------|--------------------|---------------|---------------|---------------|-----------------|------------------------|
| Toggle - Eye | | | | | | | | | | | | |
| Type 1 | 3-4 | (1/8) | RF1559 | 1/4" UNF | 8.1 (5/16) | 9.5 (3/8) | 130 (5 1/8) | 185 (7 1/4) | 4.6 (3/16) | 6.4 (1/4) | 15 (9/16) | 1630 (3590) 110 (3.8) |
| Type 1 | 4-5 | (5/32-3/16) | RF1560 | 5/16" UNF | 9.3 (3/8) | 11.0 (7/16) | 155 (6 1/8) | 220 (8 11/16) | 6.1 (1/4) | 7.9 (5/16) | 20 (13/16) | 2250 (4950) 190 (6.7) |
| Type 1 | 5 | (3/16-7/32) | RF1561 | 3/8" UNF | 10.4 (13/32) | 14.0 (3/8) | 185 (7 5/16) | 265 (10 7/16) | 7.8 (5/16) | 9.5 (3/8) | 22 (7/8) | 3350 (7370) 310 (11.0) |





Type 1



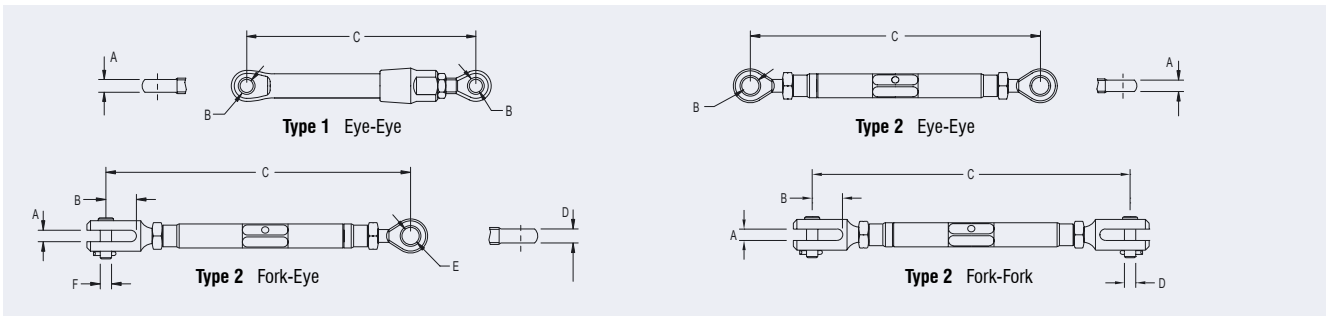
Type 2



Type 2



Type 2

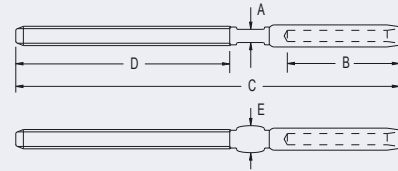


| TYPE | WIRE DIAM. mm (in.) | PRODUCT No. | THREAD TYPE | A mm (in.) | B mm (in.) | C MIN. mm (in.) | C MAX. mm (in.) | D mm (in.) | E mm (in.) | F mm (in.) | B.L. kg (lb) | WEIGHT g (oz) |
|--------------------|------------------------|-------------|-------------|---------------|---------------|--------------------|--------------------|---------------|---------------|---------------|-----------------|------------------|
| Eye - Eye | | | | | | | | | | | | |
| Type 2 | 2 (3/32) | RF217 | 3/16" UNF | 4.1 (5/32) | 5.1 (3/16) | 89 (3 1/2) | 127 (5) | - | - | - | 890 (1960) | 40 (1.4) |
| Type 1 | 3-4 (1/8) | RF1539 | 1/4" UNF | 4.7 (3/16) | 6.4 (1/4) | 110 (5 1/8) | 165 (6 1/2) | - | - | - | 1630 (3590) | 80 (3.0) |
| Type 1 | 4-5 (5/32-3/16) | RF1540 | 5/16" UNF | 6.1 (15/64) | 7.9 (5/16) | 125 (6 1/8) | 190 (7 9/16) | - | - | - | 2250 (4950) | 140 (5.0) |
| Type 1 | 5 (3/16-7/32) | RF1541 | 3/8" UNF | 7.9 (5/64) | 9.5 (3/8) | 150 (5 15/16) | 230 (9 1/16) | - | - | - | 3350 (7370) | 220 (7.0) |
| Fork - Eye | | | | | | | | | | | | |
| Type 2 | 2 (3/32) | RF218 | 3/16" UNF | 4.8 (3/16) | 11 (7/16) | 99 (3 7/8) | 137 (5 3/8) | 4 (5/32) | 4.8 (3/16) | 4.8 (3/16) | 890 (1960) | 50 (1.7) |
| Fork - Fork | | | | | | | | | | | | |
| Type 2 | 2 (3/32) | RF219 | 3/16" UNF | 4.8 (3/16) | 11 (7/16) | 109 (4 5/16) | 147 (5 13/16) | - | - | - | 890 (1960) | 60 (1.2) |

THREADED SWAGE TERMINALS

Supplied By; American Rigging Supply, Inc.

www.americanriggingsupply.com



FEATURES

- ▶ Threaded swage terminals (2.5-26mm, 3/32"-1" wire) have rolled right hand UNF threads for greater strength and are

manufactured from Grade 316 Stainless Steel for maximum corrosion resistance.

WIRE DIAMETER

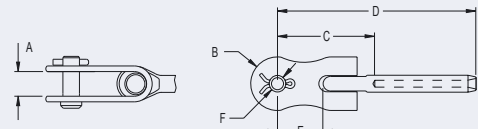
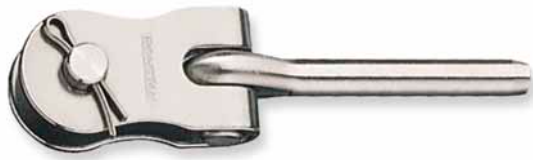
- ▶ Metric: 3mm - 26mm
- ▶ Imperial: 1/8" - 1"

| WIRE DIAM. | PRODUCT No. | SUIT TURNBUCKLE | THREAD TYPE | A | | B | | C | | D | | E | | WEIGHT | |
|-----------------------|--------------|-----------------|-------------|------|----------|-----|-----------|-----|------------|-----|-----------|------|----------|--------|---------|
| | | | | mm | (in.) | mm | (in.) | mm | (in.) | mm | (in.) | mm | (in.) | g | (oz) |
| Metric Swage | | | | | | | | | | | | | | | |
| 2.5mm | RF1513M2.503 | RF217,218,219 | 3/16" UNF | 4.0 | (5/32) | 30 | (1 3/16) | 78 | (3 1/8) | 32 | (1 1/4) | 6.5 | (1/4) | 10 | (0.4) |
| 3mm | RF1512M0304 | RF1578M0304 | 1/4" UNF | 4.0 | (5/32) | 39 | (1 9/16) | 133 | (5 1/4) | 75 | (2 15/16) | 7.0 | (9/32) | 25 | (0.9) |
| 4mm | RF1512M0404 | RF1578M0404 | 1/4" UNF | 4.0 | (5/32) | 45 | (1 3/4) | 140 | (5 1/2) | 75 | (2 15/16) | 7.0 | (9/32) | 30 | (1.1) |
| 4mm | RF1512M0405 | RF1578M0405 | 5/16" UNF | 5.3 | (7/32) | 45 | (1 3/4) | 152 | (6) | 89 | (3 1/2) | 8.7 | (11/32) | 50 | (1.8) |
| 5mm | RF1512M0504* | RF1578M0504 | 1/4" UNF | 4.0 | (5/32) | 44 | (1 3/4) | 139 | (5 1/2) | 75 | (2 15/16) | 7.0 | (9/32) | 41 | (1.4) |
| 5mm | RF1512M0505 | RF1578M0505 | 5/16" UNF | 5.3 | (7/32) | 55 | (2 3/16) | 166 | (6 1/2) | 89 | (3 1/2) | 8.7 | (11/32) | 51 | (1.8) |
| 5mm | RF1512M0506 | RF1578M0506 | 3/8" UNF | 6.3 | (1/4) | 55 | (2 3/16) | 179 | (7 1/16) | 105 | (4 1/8) | 10.5 | (13/32) | 81 | (2.9) |
| 6mm | RF1512M0607 | RF1578M0607 | 7/16" UNF | 7.6 | (5/16) | 70 | (2 3/4) | 221 | (8 11/16) | 125 | (4 7/8) | 11.9 | (15/32) | 155 | (5.5) |
| 6mm | RF1512M0608 | RF1578M0608 | 1/2" UNF | 8.5 | (11/32) | 70 | (2 3/4) | 241 | (9 1/2) | 143 | (5 5/8) | 13.9 | (9/16) | 205 | (7.2) |
| 7mm | RF1512M0708 | RF1578M0708 | 1/2" UNF | 8.5 | (11/32) | 79 | (3 1/8) | 251 | (9 7/8) | 143 | (5 5/8) | 13.9 | (9/16) | 225 | (7.9) |
| 8mm | RF1512M0808 | RF1578M0808 | 1/2" UNF | 8.5 | (11/32) | 88 | (3 1/2) | 259 | (10 1/4) | 143 | (5 5/8) | 13.9 | (9/16) | 240 | (8.5) |
| 8mm | RF1512M0810 | RF1578M0810 | 5/8" UNF | 11.5 | (7/16) | 88 | (3 1/2) | 313 | (12 3/8) | 191 | (7 1/2) | 16.7 | (21/32) | 420 | (14.8) |
| 10mm | RF1512M1010 | RF1578M1010 | 5/8" UNF | 11.5 | (7/16) | 110 | (4 5/16) | 336 | (13 1/4) | 191 | (7 1/2) | 16.7 | (21/32) | 460 | (16.2) |
| 12mm | RF1513M1212 | RF1579M1212 | 3/4" UNF | 14.5 | (9/16) | 140 | (5 1/2) | 286 | (11 2/8) | 105 | (4 1/8) | 21.2 | (27/32) | 560 | (19.7) |
| 14mm | RF1513M1414 | RF1579M1414 | 7/8" UNF | 18.0 | (23/32) | 158 | (6 1/4) | 322 | (12 11/16) | 118 | (4 5/8) | 24.0 | (15/16) | 850 | (30.0) |
| 16mm | RF1513M1616 | RF1579M1616 | 1" UNF | 18.0 | (23/32) | 177 | (7) | 360 | (14 1/8) | 130 | (5 1/8) | 25.5 | (1) | 1200 | (42.3) |
| 19mm | RF1513M1920 | RF1579M1920 | 1 1/4" UNF | 25.5 | (1) | 211 | (8 5/16) | 421 | (16 9/16) | 150 | (5 15/16) | 33.5 | (1 5/16) | 2270 | (80.1) |
| 22mm | RF1513M2220 | RF1579M2220 | 1 1/4" UNF | 25.5 | (1) | 226 | (8 7/8) | 460 | (18 1/8) | 150 | (5 15/16) | 33.5 | (1 5/16) | 2220 | (78.3) |
| 26mm | RF1513M2622 | RF1579M2622 | 1 3/8" UNF | 29.5 | (1 5/32) | 272 | (10 3/4) | 588 | (23 3/16) | 236 | (9 5/16) | 38.5 | (1 1/2) | 4680 | (165.1) |
| Imperial Swage | | | | | | | | | | | | | | | |
| 3/32 in. | RF1511-0303 | RF217,218,219 | 3/16" UNF | 4.0 | (5/32) | 30 | (1 3/16) | 78 | (3 1/8) | 32 | (1 1/4) | 6.5 | (1/4) | 10 | (0.4) |
| 1/8 in. | RF1510-0404 | RF1576-0404 | 1/4" UNF | 4.0 | (5/32) | 39 | (1 9/16) | 132 | (5 3/16) | 75 | (2 15/16) | 7.0 | (9/32) | 30 | (1.1) |
| 5/32 in. | RF1510-0504 | RF1576-0504 | 1/4" UNF | 4.0 | (5/32) | 45 | (1 3/4) | 141 | (5 1/2) | 75 | (2 15/16) | 7.0 | (9/32) | 30 | (1.1) |
| 5/32 in. | RF1510-0505 | RF1576-0505 | 5/16" UNF | 5.3 | (7/32) | 45 | (1 3/4) | 155 | (6 1/8) | 89 | (3 1/2) | 8.7 | (11/32) | 45 | (1.6) |
| 3/16 in. | RF1510-0604* | RF1576-0604 | 1/4" UNF | 4.0 | (5/32) | 44 | (1 3/4) | 139 | (5 1/2) | 75 | (2 15/16) | 7.0 | (9/32) | 41 | (1.4) |
| 3/16 in. | RF1510-0605 | RF1576-0605 | 5/16" UNF | 5.3 | (7/32) | 55 | (2 3/16) | 164 | (6 1/2) | 89 | (3 1/2) | 8.7 | (11/32) | 56 | (2.0) |
| 3/16 in. | RF1510-0606 | RF1576-0606 | 3/8" UNF | 6.3 | (1/4) | 55 | (2 3/16) | 179 | (7 1/16) | 105 | (4 1/8) | 10.5 | (13/32) | 81 | (2.9) |
| 7/32 in. | RF1510-0706 | RF1576-0706 | 3/8" UNF | 6.3 | (1/4) | 60 | (2 3/8) | 185 | (7 1/4) | 105 | (4 1/8) | 10.5 | (13/32) | 91 | (3.2) |
| 1/4 in. | RF1510-0807 | - | 7/16" UNF | 7.6 | (5/16) | 70 | (2 3/4) | 221 | (8 11/16) | 124 | (4 7/8) | 11.9 | (15/32) | 150 | (5.3) |
| 1/4 in. | RF1510-0808 | RF1576-0808 | 1/2" UNF | 8.5 | (11/32) | 70 | (2 3/4) | 241 | (9 1/2) | 143 | (5 5/8) | 13.9 | (9/16) | 195 | (6.9) |
| 9/32 in. | RF1510-0908 | RF1576-0908 | 1/2" UNF | 8.5 | (11/32) | 78 | (3 1/16) | 248 | (9 3/4) | 143 | (5 3/8) | 13.9 | (9/16) | 220 | (7.8) |
| 5/16 in. | RF1510-1008 | RF1576-1008 | 1/2" UNF | 8.5 | (11/32) | 88 | (3 1/2) | 261 | (10 1/4) | 143 | (5 5/8) | 13.9 | (9/16) | 240 | (8.5) |
| 5/16 in. | RF1510-1009 | - | 9/16" UNF | 10.4 | (13/32) | 88 | (3 1/2) | 276 | (10 7/8) | 159 | (6 1/4) | 15.6 | (5/8) | 310 | (10.9) |
| 5/16 in. | RF1510-1010 | RF1576-1010 | 5/8" UNF | 11.5 | (7/16) | 88 | (3 1/2) | 306 | (12 1/16) | 191 | (7 1/2) | 16.7 | (21/32) | 410 | (14.5) |
| 3/8 in. | RF1510-1210 | RF1576-1210 | 5/8" UNF | 11.5 | (7/16) | 109 | (4 5/16) | 335 | (13 3/16) | 191 | (7 1/2) | 16.7 | (21/32) | 460 | (16.2) |
| 7/16 in. | RF1511-1412 | RF1577-1412 | 3/4" UNF | 12.0 | (15/32) | 122 | (4 13/16) | 262 | (10 5/16) | 105 | (4 1/8) | 21.2 | (27/32) | 460 | (16.2) |
| 1/2 in. | RF1511-1614 | RF1577-1614 | 7/8" UNF | 14.5 | (9/16) | 140 | (5 1/2) | 297 | (11 11/16) | 118 | (4 5/8) | 24.0 | (15/16) | 670 | (23.6) |
| 9/16 in. | RF1511-1816 | RF1577-1816 | 1" UNF | 18.0 | (23/32) | 157 | (6 3/16) | 341 | (13 3/8) | 130 | (5 1/8) | 25.5 | (1) | 1040 | (36.7) |
| 5/8 in. | RF1511-2016 | RF1577-2016 | 1" UNF | 18.0 | (23/32) | 176 | (6 15/16) | 355 | (14) | 130 | (5 1/8) | 25.5 | (1) | 1210 | (42.7) |
| 3/4 in. | RF1511-2420 | RF1577-2420 | 1 1/4" UNF | 25.5 | (1) | 219 | (8 5/8) | 419 | (16 4/8) | 150 | (5 15/16) | 33.5 | (1 5/16) | 2320 | (81.8) |
| 7/8 in. | RF1511-2820 | RF1577-2820 | 1 1/4" UNF | 25.5 | (1) | 245 | (9 5/8) | 462 | (18 3/16) | 150 | (5 15/16) | 33.5 | (1 5/16) | 2720 | (95.9) |
| 1 in. | RF1511-3222 | RF1577-3222 | 1 3/8" UNF | 29.5 | (1 5/32) | 281 | (11 1/16) | 586 | (23 1/8) | 236 | (9 5/16) | 38.5 | (1 1/2) | 4770 | (168.2) |

*Recommended for lifeline applications only. B.L. is below the rated B.L. of 3/16" and 5mm wire

Supplied By; American Rigging Supply, Inc.

www.americanriggingsupply.com



FEATURES

- ▶ Swage toggles are an efficient wire end termination allowing movement in two planes to minimise the fatiguing effects of cyclic wind and wave action.
- ▶ All swage toggles are manufactured from Grade 316 Stainless Steel for durability, strength and corrosion resistance.
- ▶ Toggles match those on Ronstan Type 1 and Type 2 turnbuckles of the same wire diameter.

WIRE DIAMETER

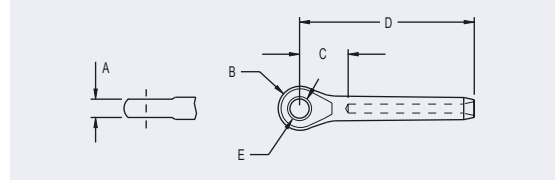
- ▶ Metric: 3mm - 26mm
- ▶ Imperial: 3/32" - 1"

| WIRE DIAM. | PRODUCT No. | A mm | (in.) | B mm | (in.) | C mm | (in.) | D mm | (in.) | E mm | (in.) | F mm | (in.) | WEIGHT g | (oz) |
|--------------------------------|--------------|------|---------|------|-----------|------|-----------|------|-----------|------|-----------|------|---------|----------|---------|
| Toggle – Metric Swage | | | | | | | | | | | | | | | |
| 3mm | RF1507M0304 | 8.1 | (5/16) | 8.7 | (11/32) | 38 | (1 1/2) | 78 | (3 1/16) | 15 | (9/16) | 6.4 | (1/4) | 45 | (1.6) |
| 4mm | RF1507M0404 | 8.1 | (5/16) | 8.7 | (11/32) | 38 | (1 1/2) | 85 | (3 3/8) | 15 | (9/16) | 6.4 | (1/4) | 50 | (1.8) |
| 4mm | RF1507M0405 | 9.3 | (3/8) | 11.1 | (7/16) | 45 | (1 3/4) | 90 | (3 9/16) | 20 | (13/16) | 7.9 | (5/16) | 80 | (2.8) |
| 5mm | RF1507M0504* | 8.1 | (5/16) | 8.7 | (11/32) | 38 | (1 1/2) | 92 | (3 5/8) | 15 | (9/16) | 6.4 | (1/4) | 72 | (2.5) |
| 5mm | RF1507M0505 | 9.3 | (3/8) | 11.1 | (7/16) | 45 | (1 3/4) | 104 | (4 1/8) | 20 | (13/16) | 7.9 | (5/16) | 56 | (2.0) |
| 5mm | RF1507M0506 | 10.4 | (13/32) | 14.3 | (9/16) | 53 | (2 1/16) | 116 | (4 9/16) | 22 | (7/8) | 9.5 | (3/8) | 80 | (2.8) |
| 6mm | RF1507M0608 | 13.5 | (17/32) | 17.5 | (11/16) | 71 | (2 13/16) | 142 | (5 5/8) | 28 | (1 1/8) | 12.7 | (1/2) | 285 | (10.1) |
| 7mm | RF1507M0708 | 13.5 | (17/32) | 17.5 | (11/16) | 80 | (3 1/8) | 149 | (5 7/8) | 28 | (1 1/8) | 12.7 | (1/2) | 335 | (11.8) |
| 8mm | RF1507M0808 | 13.5 | (17/32) | 17.5 | (11/16) | 73 | (2 7/8) | 161 | (6 3/8) | 28 | (1 1/8) | 12.7 | (1/2) | 365 | (12.9) |
| 8mm | RF1507M0810 | 17.0 | (21/32) | 20.6 | (13/16) | 84 | (3 5/16) | 178 | (7) | 41 | (1 5/8) | 15.9 | (5/8) | 510 | (18.0) |
| 10mm | RF1507M1010 | 17.0 | (21/32) | 20.6 | (13/16) | 93 | (3 11/16) | 203 | (8) | 41 | (1 5/8) | 15.9 | (5/8) | 580 | (20.5) |
| 12mm | RF1507M1212 | 19.9 | (3/4) | 23.8 | (15/16) | 107 | (4 3/16) | 247 | (9 3/4) | 45 | (1 3/4) | 19.0 | (3/4) | 910 | (32.1) |
| 14mm | RF1507M1414 | 28.2 | (1 1/8) | 28.6 | (1 1/8) | 111 | (4 3/8) | 279 | (11) | 45 | (1 3/4) | 22.2 | (7/8) | 1125 | (39.7) |
| 16mm | RF1507M1616 | 28.8 | (1 1/8) | 30.2 | (1 3/16) | 135 | (5 5/16) | 312 | (12 5/16) | 59 | (2 5/16) | 25.4 | (1) | 2350 | (82.9) |
| 19mm | RF1507M1920 | 36.0 | (1 3/8) | 42.5 | (1 11/16) | 177 | (7) | 388 | (15 1/4) | 74 | (2 15/16) | 31.8 | (1 1/4) | 4570 | (161.2) |
| 22mm | RF1507M2220 | 36.0 | (1 3/8) | 42.5 | (1 11/16) | 161 | (6 5/16) | 406 | (16) | 74 | (2 15/16) | 31.8 | (1 1/4) | 5200 | (183.4) |
| 26mm | RF1507M2622 | 36.0 | (1 3/8) | 46.0 | (1 13/16) | 200 | (7 7/8) | 477 | (18 3/4) | 75 | (2 31/32) | 34.9 | (1 3/8) | 8620 | (304.0) |
| Toggle – Imperial Swage | | | | | | | | | | | | | | | |
| 1/8 in. | RF1506-0404 | 8.1 | (5/16) | 8.7 | (11/32) | 38 | (1 1/2) | 77 | (3 1/16) | 15 | (9/16) | 6.4 | (1/4) | 45 | (1.6) |
| 5/32 in. | RF1506-0504 | 8.1 | (5/16) | 8.7 | (11/32) | 38 | (1 1/2) | 85 | (3 3/8) | 15 | (9/16) | 6.4 | (1/4) | 50 | (1.8) |
| 5/32 in. | RF1506-0505 | 9.3 | (3/8) | 11.1 | (7/16) | 45 | (1 3/4) | 90 | (3 9/16) | 20 | (13/16) | 7.9 | (5/16) | 72 | (2.5) |
| 3/16 in. | RF1506-0604* | 8.1 | (5/16) | 8.7 | (11/32) | 38 | (1 1/2) | 95 | (3 3/4) | 15 | (9/16) | 6.4 | (1/4) | 56 | (2.0) |
| 3/16 in. | RF1506-0605 | 9.3 | (3/8) | 11.1 | (7/16) | 45 | (1 3/4) | 102 | (4) | 20 | (13/16) | 7.9 | (5/16) | 80 | (2.8) |
| 3/16 in. | RF1506-0606 | 10.4 | (13/32) | 14.3 | (9/16) | 53 | (2 1/16) | 109 | (4 5/16) | 22 | (7/8) | 9.5 | (3/8) | 141 | (5.0) |
| 7/32 in. | RF1506-0706 | 10.4 | (13/32) | 14.3 | (9/16) | 56 | (2 3/16) | 117 | (4 5/8) | 22 | (7/8) | 9.5 | (3/8) | 156 | (5.5) |
| 1/4 in. | RF1506-0808 | 13.5 | (17/32) | 17.5 | (11/16) | 74 | (2 15/16) | 141 | (5 9/16) | 28 | (1 1/8) | 12.7 | (1/2) | 270 | (9.5) |
| 9/32 in. | RF1506-0908 | 13.5 | (17/32) | 17.5 | (11/16) | 72 | (2 13/16) | 150 | (5 7/8) | 28 | (1 1/8) | 12.7 | (1/2) | 325 | (11.5) |
| 5/16 in. | RF1506-1008 | 13.5 | (17/31) | 17.5 | (11/16) | 69 | (2 11/16) | 161 | (6 3/8) | 28 | (1 1/8) | 12.7 | (1/2) | 365 | (12.9) |
| 5/16 in. | RF1506-1010 | 17.0 | (21/32) | 20.6 | (13/16) | 84 | (3 5/16) | 178 | (7) | 41 | (1 5/8) | 15.9 | (5/8) | 510 | (18.0) |
| 3/8 in. | RF1506-1210 | 17.0 | (21/32) | 20.6 | (13/16) | 91 | (3 9/16) | 205 | (8 1/6) | 41 | (1 5/8) | 15.9 | (5/8) | 615 | (21.7) |
| 7/16 in. | RF1506-1412 | 19.9 | (3/4) | 23.8 | (15/16) | 98 | (3 7/8) | 225 | (8 7/8) | 45 | (1 3/4) | 19.0 | (3/4) | 840 | (29.6) |
| 1/2 in. | RF1506-1614 | 28.2 | (1 1/8) | 28.6 | (1 1/8) | 121 | (4 3/4) | 260 | (10 1/4) | 45 | (1 3/4) | 22.2 | (7/8) | 1000 | (35.3) |
| 9/16 in. | RF1506-1814 | 28.2 | (1 1/8) | 28.6 | (1 1/8) | 153 | (6) | 279 | (11) | 45 | (1 3/4) | 22.2 | (7/8) | 1125 | (39.7) |
| 5/8 in. | RF1506-2016 | 28.8 | (1 1/8) | 30.2 | (1 3/16) | 151 | (5 15/16) | 315 | (12 3/8) | 59 | (2 5/16) | 25.4 | (1) | 2360 | (83.2) |
| 3/4 in. | RF1506-2420 | 36.0 | (1 3/8) | 42.5 | (1 11/16) | 173 | (6 13/16) | 396 | (15 5/8) | 74 | (2 15/16) | 31.8 | (1 1/4) | 4620 | (162.9) |
| 7/8 in. | RF1506-2820 | 36.0 | (1 3/8) | 42.5 | (1 11/16) | 179 | (7 1/16) | 425 | (16 3/4) | 74 | (2 15/16) | 31.8 | (1 1/4) | 5320 | (187.6) |
| 1 in. | RF1506-3222 | 36.0 | (1 3/8) | 46.0 | (1 13/16) | 190 | (7 1/2) | 486 | (19 1/8) | 75 | (2 31/32) | 34.9 | (1 3/8) | 8710 | (307.2) |

* Recommended for lifeline applications only. B.L. is below the rated B.L. of 3/16" and 5mm wire.

Supplied By; American Rigging Supply, Inc.

www.americanriggingsupply.com



Rigging Hardware

| WIRE DIAM. | PRODUCT No. | A | | B | | C | | D | | E | | WEIGHT | |
|-----------------------------|--------------|------|----------|------|-----------|----|-----------|-----|------------|------|---------|--------|---------|
| | | mm | (in.) | mm | (in.) | mm | (in.) | mm | (in.) | mm | (in.) | g | (oz) |
| Swage Eye – Metric | | | | | | | | | | | | | |
| 2.5mm | RF1501M2.503 | 3.2 | (1/8) | 6.0 | (1/4) | 15 | (19/32) | 48 | (1 7/8) | 5.1 | (3/16) | 10 | (0.4) |
| 3mm | RF1501M0304 | 4.8 | (3/16) | 6.4 | (1/4) | 17 | (21/32) | 56 | (2 3/16) | 6.5 | (1/4) | 15 | (0.5) |
| 4mm | RF1501M0405 | 6.0 | (1/4) | 8.5 | (11/32) | 16 | (5/8) | 63 | (2 1/2) | 8.1 | (5/16) | 25 | (0.9) |
| 5mm | RF1501M0505 | 6.0 | (1/4) | 8.5 | (11/32) | 16 | (5/8) | 75 | (3) | 8.1 | (5/16) | 31 | (1.1) |
| 5mm | RF1501M0506 | 7.0 | (9/32) | 10.5 | (13/32) | 22 | (7/8) | 77 | (3 1/16) | 9.7 | (3/8) | 46 | (1.6) |
| 6mm | RF1501M0608 | 9.5 | (3/8) | 12.7 | (1/2) | 30 | (1 3/16) | 99 | (3 14/16) | 13.0 | (1/2) | 95 | (3.4) |
| 7mm | RF1501M0708 | 12.7 | (1/2) | 13.5 | (17/32) | 30 | (1 3/16) | 110 | (4 5/16) | 13.0 | (1/2) | 155 | (5.5) |
| 8mm | RF1501M0808 | 12.7 | (1/2) | 14.0 | (9/16) | 32 | (1 1/4) | 119 | (4 11/16) | 13.0 | (1/2) | 185 | (6.5) |
| 8mm | RF1501M0810 | 14.3 | (9/16) | 15.9 | (5/8) | 32 | (1 1/4) | 118 | (4 5/8) | 16.2 | (5/8) | 200 | (7.1) |
| 10 mm | RF1501M1010 | 15.9 | (5/8) | 16.0 | (5/8) | 36 | (1 7/16) | 146 | (5 3/4) | 16.2 | (5/8) | 280 | (9.9) |
| 12mm | RF1501M1212 | 15.5 | (5/8) | 18.0 | (11/16) | 41 | (1 5/8) | 180 | (7 1/8) | 19.4 | (3/4) | 400 | (14.1) |
| 14mm | RF1501M1414 | 21.4 | (27/32) | 24.0 | (15/16) | 56 | (2 3/16) | 211 | (8 5/16) | 22.5 | (7/8) | 798 | (28.1) |
| 16mm | RF1501M1616 | 25.4 | (1) | 27.0 | (11/16) | 61 | (2 3/8) | 232 | (9 1/8) | 25.8 | (1) | 1170 | (41.3) |
| 19mm | RF1501M1920 | 30.5 | (1 3/16) | 31.3 | (1 7/32) | 65 | (2 9/16) | 279 | (11) | 32.0 | (1 1/4) | 1800 | (63.5) |
| 22mm | RF1501M2220 | 30.5 | (1 3/16) | 31.3 | (1 7/32) | 71 | (2 13/16) | 297 | (11 3/4) | 32.0 | (1 1/4) | 2430 | (85.7) |
| 26mm | RF1501M2622 | 33.0 | (1 5/16) | 33.7 | (1 11/32) | 85 | (3 11/32) | 367 | (14 7/16) | 35.3 | (1 3/8) | 3655 | (128.9) |
| Swage Eye – Imperial | | | | | | | | | | | | | |
| 3/32 in. | RF1500-0303 | 3.2 | (1/8) | 6.0 | (1/4) | 15 | (19/32) | 48 | (1 7/8) | 5.1 | (3/16) | 10 | (0.4) |
| 1/8 in. | RF1500-0404 | 4.8 | (3/16) | 6.4 | (1/4) | 17 | (21/32) | 55 | (2 3/16) | 6.5 | (1/4) | 10 | (0.4) |
| 5/32 in. | RF1500-0505 | 6.0 | (1/4) | 8.5 | (11/32) | 16 | (5/8) | 63 | (2 1/2) | 8.1 | (5/16) | 15 | (0.5) |
| 3/16 in. | RF1500-0605 | 6.0 | (1/4) | 8.5 | (11/32) | 17 | (5/8) | 75 | (3) | 8.1 | (5/16) | 31 | (1.1) |
| 3/16 in. | RF1500-0606 | 7.9 | (5/16) | 10.5 | (13/32) | 22 | (7/8) | 77 | (3 1/16) | 9.7 | (3/8) | 21 | (0.7) |
| 7/32 in. | RF1500-0706 | 9.5 | (3/8) | 10.5 | (13/32) | 25 | (1) | 84 | (3 5/16) | 9.7 | (3/8) | 36 | (1.3) |
| 1/4 in. | RF1500-0808 | 9.5 | (3/8) | 12.7 | (1/2) | 30 | (1 3/16) | 99 | (3 7/8) | 13.0 | (1/2) | 65 | (2.3) |
| 9/32 in. | RF1500-0908 | 12.7 | (1/2) | 13.5 | (17/32) | 33 | (1 5/16) | 109 | (4 5/16) | 13.0 | (1/2) | 95 | (3.4) |
| 5/16 in. | RF1500-1008 | 12.7 | (1/2) | 13.5 | (17/32) | 32 | (1 1/4) | 118 | (4 5/8) | 13.0 | (1/2) | 145 | (5.1) |
| 5/16 in. | RF1500-1010 | 14.3 | (9/16) | 15.9 | (5/8) | 32 | (1 1/4) | 118 | (4 5/8) | 16.2 | (5/8) | 185 | (6.5) |
| 3/8 in. | RF1500-1210 | 14.3 | (9/16) | 15.9 | (5/8) | 38 | (1 1/2) | 142 | (5 5/8) | 16.2 | (5/8) | 220 | (7.8) |
| 7/16 in. | RF1500-1412 | 18.3 | (23/32) | 18.3 | (23/32) | 38 | (1 1/2) | 159 | (6 1/4) | 19.4 | (3/4) | 280 | (9.9) |
| 1/2 in. | RF1500-1614 | 21.4 | (27/32) | 24.0 | (15/16) | 56 | (2 3/16) | 195 | (7 11/16) | 22.5 | (7/8) | 370 | (13.0) |
| 9/16 in. | RF1500-1814 | 21.4 | (27/32) | 24.0 | (15/16) | 56 | (2 3/16) | 211 | (8 5/16) | 22.5 | (7/8) | 620 | (21.9) |
| 5/8 in. | RF1500-2016 | 25.4 | (1) | 27.0 | (11/16) | 61 | (2 3/8) | 235 | (9 1/4) | 25.8 | (1) | 838 | (29.6) |
| 3/4 in. | RF1500-2420 | 30.5 | (1 3/16) | 31.3 | (1 7/32) | 65 | (2 9/16) | 287 | (11 5/16) | 32.0 | (1 1/4) | 1290 | (45.5) |
| 7/8 in. | RF1500-2820 | 30.5 | (1 3/16) | 31.3 | (1 7/32) | 71 | (2 13/16) | 316 | (12 7/16) | 32.0 | (1 1/4) | 2050 | (72.3) |
| 1 in. | RF1500-3222 | 33.0 | (1 5/16) | 33.7 | (1 11/32) | 85 | (3 11/32) | 376 | (14 13/16) | 35.3 | (1 3/8) | 2800 | (98.8) |

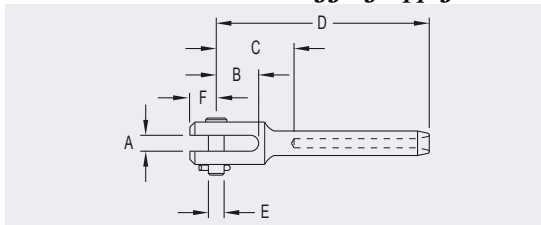
SWAGING DIMENSIONS

| Wire | mm | 2.5 | 3 | 4 | 5 | 5.6 | 6 | 7 | 8 | 10 | 11 | 12 | 14 | 16 | 19 | 22 | 26 |
|-------------------|-----|-------|------------|-------|-------|------------|-------|-------|------------|-------|-------|------------|-------|-----------|-------|------------|-------|
| Diameter | in. | 3/32 | 1/8 | 5/32 | 3/16 | 7/32 | 1/4 | 9/32 | 5/16 | 3/8 | 7/16 | 1/2 | 9/16 | 5/8 | 3/4 | 7/8 | 1 |
| Metric Code | | 2.5M | 03M | 04M | 05M | - | 06M | 07M | 08M | 10M | - | 12M | 14M | 16M | 19M | 22M | 26M |
| Imperial Code | | 3 | 4 | 5 | 6 | 7 | 8 | 9 | 10 | 12 | 14 | 16 | 18 | 20 | 24 | 28 | 32 |
| Length of Wire | mm | 32.3 | 38.4 | 45 | 55 | 60.5 | 70 | 78.5 | 88 | 110 | 122 | 140 | 157 | 176 | 210 | 245 | 286 |
| Inside Swage | in. | 1.27 | 1.51 | 1.77 | 2.17 | 2.38 | 2.76 | 3.09 | 3.46 | 4.33 | 4.8 | 5.51 | 6.18 | 6.93 | 8.27 | 9.65 | 11.26 |
| Diameter O.D. | mm | 5.54 | 6.35 | 7.54 | 9.12 | 10.85 | 12.55 | 14.3 | 16.13 | 17.86 | 19.84 | 21.44 | 24.99 | 28.17 | 34.52 | 40.46 | 46.02 |
| Before swaging | in. | 0.218 | 0.25 | 0.297 | 0.359 | 0.427 | 0.494 | 0.563 | 0.635 | 0.703 | 0.781 | 0.844 | 0.984 | 1.109 | 1.359 | 1.593 | 1.812 |
| Diameter O.D. | mm | 4.83 | 5.56 | 6.35 | 7.95 | 9.53 | 11.13 | 12.7 | 14.3 | 15.88 | 17.48 | 19.05 | 22.23 | 25.4 | 31.75 | 36.5 | 41.28 |
| After swaging | in. | 0.19 | 0.219 | 0.25 | 0.313 | 0.375 | 0.438 | 0.5 | 0.563 | 0.625 | 0.688 | 0.75 | 0.875 | 1 | 1.25 | 1.437 | 1.625 |
| Tolerance on O.D. | mm | | +0, -0.13 | | | +0, -0.18 | | | +0, -0.20 | | | +0, -0.23 | | +0, -0.26 | | +0, -0.31 | |
| | in. | | +0, -0.005 | | | +0, -0.007 | | | +0, -0.008 | | | +0, -0.009 | | +0, -0.01 | | +0, -0.012 | |



Supplied By; American Rigging Supply, Inc.

www.americanriggingsupply.com



FEATURES

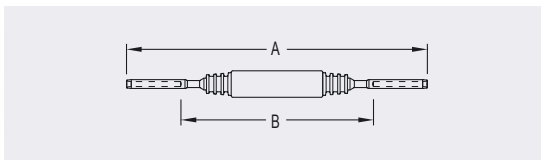
- ▶ Swage forks are turned from solid Grade 316 Stainless Steel bar for maximum strength and corrosion resistance.

- ▶ Swage forks provide an aesthetic and sleek wire end termination for use where movement in only one plane is required.

MATERIAL

- ▶ Grade 316 stainless steel

| WIRE DIAM. | PRODUCT No. | A mm | A (in.) | B mm | B (in.) | C mm | C (in.) | D mm | D (in.) | E mm | E (in.) | F mm | F (in.) | WEIGHT g | (oz) |
|------------------------------|--------------|------|---------|------|----------|------|-----------|------|-----------|------|---------|------|---------|----------|-------|
| Swage Fork - Metric | | | | | | | | | | | | | | | |
| 2.5mm | RF1509M2.503 | 4.8 | (3/16) | 11.1 | (7/16) | 25 | (1) | 57 | (2 1/4) | 4.7 | (3/16) | 6.4 | (1/4) | 19 | (0.7) |
| 3mm | RF1509M0304 | 4.8 | (3/16) | 15.4 | (19/32) | 21 | (13/16) | 60 | (2 3/8) | 6.4 | (1/4) | 6.4 | (1/4) | 20 | (0.7) |
| 4mm | RF1509M0405 | 4.8 | (3/16) | 16.2 | (5/8) | 23 | (25/32) | 68 | (2 11/16) | 7.9 | (5/16) | 8.8 | (11/32) | 35 | (1.2) |
| 5mm | RF1509M0506 | 6.4 | (1/4) | 18.2 | (23/32) | 30 | (1 3/16) | 86 | (3 3/8) | 9.5 | (3/8) | 9.8 | (3/8) | 66 | (2.3) |
| 6mm | RF1509M0608 | 7.9 | (5/16) | 26.2 | (1 1/32) | 40 | (1 9/16) | 110 | (4 5/16) | 12.7 | (1/2) | 13.1 | (1/2) | 150 | (5.3) |
| 7mm | RF1509M0708 | 7.9 | (5/16) | 28.5 | (1 1/8) | 49 | (1 15/16) | 129 | (5 1/8) | 12.7 | (1/2) | 13.7 | (17/32) | 215 | (7.6) |
| 8mm | RF1509M0808 | 7.9 | (5/16) | 28.5 | (1 1/8) | 45 | (1 25/32) | 134 | (5 1/4) | 12.7 | (1/2) | 14.3 | (9/16) | 235 | (8.3) |
| Swage Fork - Imperial | | | | | | | | | | | | | | | |
| 1/8 in. | RF1508-0404 | 4.8 | (3/16) | 15.4 | (19/32) | 22 | (7/8) | 60 | (2 3/8) | 6.4 | (1/4) | 6.4 | (1/4) | 20 | (0.7) |
| 5/32 in. | RF1508-0505 | 4.8 | (3/16) | 17.4 | (11/16) | 25 | (1) | 70 | (2 3/4) | 7.9 | (5/16) | 8.8 | (11/32) | 35 | (1.2) |
| 3/16 in. | RF1508-0606 | 6.4 | (1/4) | 18.2 | (23/32) | 30 | (1 3/16) | 86 | (3 3/8) | 9.5 | (3/8) | 9.8 | (3/8) | 66 | (2.3) |
| 7/32 in. | RF1508-0706 | 6.4 | (1/4) | 23.2 | (29/32) | 34 | (1 5/16) | 98 | (3 7/8) | 9.5 | (3/8) | 10.6 | (13/32) | 96 | (3.4) |
| 1/4 in. | RF1508-0808 | 7.9 | (5/16) | 26.2 | (1 1/32) | 31 | (1 1/4) | 124 | (4 7/8) | 12.7 | (1/2) | 13.1 | (1/2) | 151 | (5.3) |
| 9/32 in. | RF1508-0908 | 7.9 | (5/16) | 28.5 | (1 1/8) | 40 | (1 9/16) | 130 | (5 1/8) | 12.7 | (1/2) | 13.7 | (17/32) | 215 | (7.6) |
| 5/16 in. | RF1508-1008 | 7.9 | (5/16) | 28.5 | (1 1/8) | 39 | (1 9/16) | 131 | (5 1/8) | 12.7 | (1/2) | 14.3 | (9/16) | 235 | (8.3) |



FEATURES

- ▶ This technically advanced, lightweight insulator is used at the top and bottom of the backstay to create an efficient two way radio antenna.

- ▶ For peak radio performance the stainless steel end terminals are insulated from the anodised aluminium body with a special Acetal spacer. The large external webs of the spacer help

to minimise power leakage, a problem with conventional insulators particularly when wet.

| WIRE DIAM. | PRODUCT No. | A mm | A (in.) | B mm | B (in.) | BL kg | BL (lb) | WEIGHT g | (oz) |
|-----------------------------|-------------|------|------------|------|------------|-------|---------|----------|--------|
| Imperial Swage-Swage | | | | | | | | | |
| 3/16" | RF3628-06 | 309 | (12 1/8) | 198 | (7 25/32) | 3350 | (7370) | 272 | (9.6) |
| 7/32" | RF3628-07 | 329 | (13) | 207 | (8 1/8) | 3350 | (7370) | 302 | (10.6) |
| 1/4" | RF3628-08 | 422 | (15 13/16) | 261 | (10 1/4) | 5430 | (11946) | 500 | (17.7) |
| 9/32" | RF3628-09 | 500 | (19 11/16) | 264 | (10 3/8) | 5430 | (11946) | 540 | (19) |
| 5/16" | RF3628-10 | 546 | (21 1/2) | 323 | (12 23/32) | 8700 | (19140) | 1020 | (36) |
| 3/8" | RF3628-12 | 526 | (20 23/32) | 326 | (12 13/16) | 8700 | (19140) | 1210 | (42) |
| Metric Swage-Swage | | | | | | | | | |
| 5mm | RF3629-05M | 310 | (12 3/16) | 198 | (7 25/32) | 3350 | (7370) | 272 | (9.6) |
| 6mm | RF3629-06M | 409 | (16 1/8) | 261 | (10 1/4) | 5430 | (11946) | 510 | (18) |
| 7mm | RF3629-07M | 424 | (16 11/16) | 264 | (10 3/8) | 5430 | (11946) | 570 | (20) |
| 8mm | RF3629-08M | 499 | (19 5/8) | 323 | (12 23/32) | 8700 | (19140) | 1020 | (36) |
| 10mm | RF3629-10M | 540 | (21 1/4) | 320 | (12 5/8) | 8700 | (19140) | 1190 | (42) |



Supplied By; American Rigging Supply, Inc.

www.americanriggingsupply.com



RF113
RF114



RF686
RF687
RF688



RF413



CLEVIS PIN

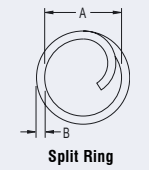
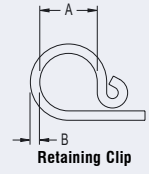


RF5310

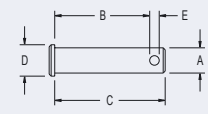


TOGGLE PIN

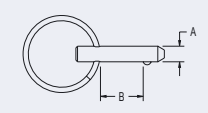
| PRODUCT No. | DESCRIPTION | A | | B | | SUITS CLEVIS PINS | WEIGHT g (oz) |
|------------------------------|----------------|------|--------|-----|--------|-------------------|---------------|
| | | mm | (in.) | mm | (in.) | | |
| Split Rings and Clips | | | | | | | |
| RF113 | Split ring | 9.5 | (3/8) | 1.0 | (1/32) | RF258 – RF266 | 1 (0.1) |
| RF114 | Split ring | 11.1 | (7/16) | 1.3 | (1/16) | RF260 – RF266 | 2 (0.1) |
| RF413 | Retaining Clip | 16.0 | (5/8) | 2.7 | (3/32) | RF267 – RF274 | 3 (0.1) |
| RF686 | Split ring | 14.3 | (9/16) | 1.3 | (1/16) | RF260 – RF274 | 4 (0.1) |
| RF687 | Split ring | 18.8 | (3/4) | 1.6 | (1/16) | RF260 – RF274 | 5 (0.2) |
| RF688 | Split ring | 25.0 | (1) | 2.0 | (3/32) | RF267 – RF278 | 5 (0.2) |



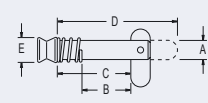
| | A | | B | | C | | D | | E | | WEIGHT g (oz) |
|--------------------|------|--------|------|---------|------|-----------|------|--------|-----|--------|---------------|
| | mm | (in.) | mm | (in.) | mm | (in.) | mm | (in.) | mm | (in.) | |
| Clevis Pins | | | | | | | | | | | |
| RF258 | 3.9 | (5/32) | 9.1 | (11/32) | 13.1 | (1/2) | 6.4 | (1/4) | 2.0 | (5/64) | 1 (0.1) |
| RF259 | 4.6 | (3/16) | 9.0 | (11/32) | 12.2 | (15/32) | 6.4 | (1/4) | 2.0 | (5/64) | 2 (0.1) |
| RF260 | 4.8 | (3/16) | 12.7 | (1/2) | 16.0 | (5/8) | 6.4 | (1/4) | 2.2 | (3/32) | 3 (0.1) |
| RF261 | 4.8 | (3/16) | 19.0 | (3/4) | 22.0 | (7/8) | 6.4 | (1/4) | 2.2 | (3/32) | 3 (0.1) |
| RF262 | 4.8 | (3/16) | 25.0 | (1) | 28.0 | (1 1/8) | 6.4 | (1/4) | 2.2 | (3/32) | 5 (0.2) |
| RF263 | 6.4 | (1/4) | 12.7 | (1/2) | 16.5 | (21/32) | 7.9 | (5/16) | 2.4 | (3/32) | 5 (0.2) |
| RF264 | 6.4 | (1/4) | 19.0 | (3/4) | 23.0 | (29/32) | 7.9 | (5/16) | 2.4 | (3/32) | 5 (0.2) |
| RF265 | 6.4 | (1/4) | 25.0 | (1) | 30.0 | (1 3/16) | 7.9 | (5/16) | 2.4 | (3/32) | 10 (0.4) |
| RF266 | 6.4 | (1/4) | 32.0 | (1 1/4) | 36.0 | (1 7/16) | 7.9 | (5/16) | 2.4 | (3/32) | 10 (0.4) |
| RF267 | 7.9 | (5/16) | 12.7 | (1/2) | 16.5 | (21/32) | 9.5 | (3/8) | 2.7 | (3/32) | 10 (0.4) |
| RF268 | 7.9 | (5/16) | 19.0 | (3/4) | 23.0 | (29/32) | 9.5 | (3/8) | 2.7 | (3/32) | 10 (0.4) |
| RF269 | 7.9 | (5/16) | 25.0 | (1) | 30.0 | (1 3/16) | 9.5 | (3/8) | 2.7 | (3/32) | 10 (0.4) |
| RF270 | 7.9 | (5/16) | 32.0 | (1 1/4) | 36.0 | (1 7/16) | 9.5 | (3/8) | 2.7 | (3/32) | 15 (0.5) |
| RF271 | 9.5 | (3/8) | 19.0 | (3/4) | 24.0 | (15/16) | 12.7 | (1/2) | 4.0 | (5/32) | 15 (0.5) |
| RF272 | 9.5 | (3/8) | 25.0 | (1) | 31.0 | (1 1/4) | 12.7 | (1/2) | 3.6 | (5/32) | 20 (0.7) |
| RF273 | 9.5 | (3/8) | 32.0 | (1 1/4) | 37.0 | (1 7/16) | 12.7 | (1/2) | 3.7 | (5/32) | 20 (0.7) |
| RF274 | 9.5 | (3/8) | 38.0 | (1 1/2) | 43.0 | (1 11/16) | 12.7 | (1/2) | 3.7 | (5/32) | 25 (0.9) |
| RF275 | 12.7 | (1/2) | 19.0 | (3/4) | 25.0 | (1) | 15.9 | (5/8) | 3.5 | (1/8) | 30 (1.1) |
| RF276 | 12.7 | (1/2) | 25.0 | (1) | 31.0 | (1 1/4) | 15.9 | (5/8) | 3.5 | (1/8) | 35 (1.2) |
| RF277 | 12.7 | (1/2) | 32.0 | (1 1/4) | 38.0 | (1 1/2) | 15.9 | (5/8) | 3.5 | (1/8) | 40 (1.4) |
| RF278 | 12.7 | (1/2) | 38.0 | (1 1/2) | 44.0 | (1 3/4) | 15.9 | (5/8) | 3.5 | (1/8) | 50 (1.8) |
| RF537 | 15.9 | (5/8) | 25.0 | (1) | 33.0 | (1 5/16) | 19.0 | (3/4) | 4.0 | (5/32) | 55 (1.9) |
| RF538 | 15.9 | (5/8) | 32.0 | (1 1/4) | 38.0 | (1 1/2) | 19.0 | (3/4) | 4.4 | (5/32) | 65 (2.3) |
| RF539 | 15.9 | (5/8) | 38.0 | (1 1/2) | 45.0 | (1 3/4) | 19.0 | (3/4) | 4.4 | (5/32) | 75 (2.7) |



| | | | | | | | | | | | |
|-----------------|-----|--------|------|-------|---|---|---|---|---|---|---------|
| Fast Pin | | | | | | | | | | | |
| RF5310 | 4.8 | (3/16) | 12.5 | (1/2) | - | - | - | - | - | - | 7 (0.2) |



| | | | | | | | | | | | |
|--------------------|-----|-------|------|---------|------|---------|------|-----------|------|--------|----------|
| Toggle Pins | | | | | | | | | | | |
| RF115x1/2 | 6.4 | (1/4) | 8.4 | (5/16) | 12.7 | (1/2) | 33.0 | (1 5/16) | 7.9 | (5/16) | 10 (0.4) |
| RF115x5/8 | 6.4 | (1/4) | 10.5 | (13/32) | 15.9 | (5/8) | 36.5 | (1 7/16) | 7.9 | (5/16) | 10 (0.4) |
| RF115x3/4 | 6.4 | (1/4) | 14.5 | (9/16) | 19.0 | (3/4) | 39.0 | (1 9/16) | 7.9 | (5/16) | 10 (0.4) |
| RF115x1 | 6.4 | (1/4) | 20.0 | (3/4) | 25.4 | (1) | 45.0 | (1 3/4) | 7.9 | (5/16) | 10 (0.4) |
| RF115x1 1/4 | 6.4 | (1/4) | 26.5 | (1) | 32.0 | (1 1/4) | 51.5 | (2) | 7.9 | (5/16) | 15 (0.5) |
| RF117x1 1/2 | 9.5 | (3/8) | 31.5 | (1 1/4) | 47.0 | (1 3/4) | 70.0 | (2 15/16) | 12.7 | (1/2) | 35 (1.2) |



Note: 'B' is the maximum thickness of material the toggle pin can pass through, allowing correct toggle operation.