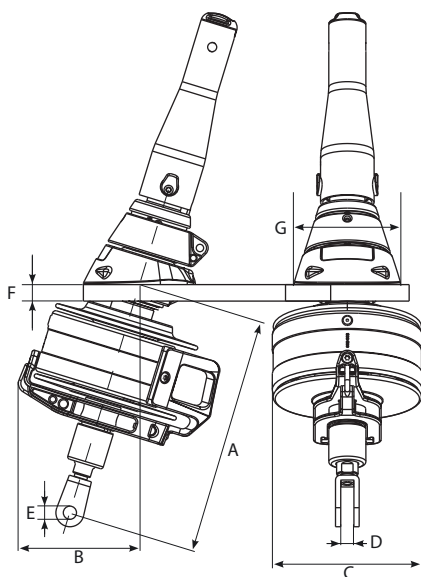


Furlex TD (Through Deck)

January 2007

Boat Size	Displ. MH	Displ. Frac	Max Length	Wire Size	Pin Size	Series	Price
28' - 29'	7,700	9,900	34' 9"	6mm,7/32"	3/8'	206-10	\$3,918.00
28' - 29'	7,700	9,900	42' 8"	6mm,7/32"	3/8'	206-13	\$4,044.00
28' - 29'	7,700	9,900	50' 6"	6mm,7/32"	3/8'	206-15	\$4,203.00
30' - 33'	12,100	15,400	42' 8"	7mm,1/4",9/32"	1/2'	207-13	\$4,181.00
30' - 33'	12,100	15,400	50' 6"	7mm,1/4",9/32"	1/2'	207-15	\$4,306.00
30' - 33'	12,100	15,400	58' 4"	7mm,1/4",9/32"	1/2'	207-17	\$4,492.00
33' - 35'	15,400	19,800	50' 6"	8mm,5/16"	9/16"	208-15	\$4,529.00
33' - 35'	15,400	19,800	58' 4"	8mm,5/16"	9/16"	208-17	\$4,730.00
38' - 40'	17,600	22,000	50' 6"	8mm,5/16"	5/8'	308-15	\$5,500.00
38' - 40'	17,600	22,000	58' 4"	8mm,5/16"	5/8'	308-17	\$5,737.00
42' - 45'	28,700	33,100	50' 6"	10mm/3/8"	5/8'	310-15	\$6,121.00
42' - 45'	28,700	33,100	58' 4"	10mm/3/8"	5/8'	310-17	\$6,307.00
42' - 45'	28,700	33,100	66' 3"	10mm/3/8"	5/8'	310-20	\$6,611.00



Type	A mm	B mm	C mm	D, mm (forestay dia., mm)	E, mm (forestay dia., mm)	F max mm	G mm
200TD	290-450	150	182	14 (6 and 7) 16 (8)	14 (6 and 7) 16 (8)	10	130
300TD	330-490	170	214	21.5 (8 and 10)	16 (8 and 10)	10	142

Included: 1x19 stainless steel headstay, (4) stanchion blocks, low stretch furling line, removable split drum for conversion to racing, twin groove aerodynamic extrusion, toggle for stem head, snap shackles at the head and tack, (2) halyard fairleads, top guard, prefeeder, and 5 year guaranty. Ordering: Measure headstay diameter and length. Order the system with the same diameter and length longer than your present stay. Boat should not exceed displacemnt listed.