

# TILLER EXTENSIONS - Proven Quality & Performance

Supplied By; American Rigging Supply, Inc.

## TWIST-LOCK TILLER EXTENSIONS

The industry standards are set by **Forespar's**® complete line of hiking sticks with designs and lengths to satisfy every sailor. Our telescoping models offer a choice of two excellent fastening devices: **TFP (Quick-Release)**; and **SF (Sta-Fast™)**.

A long time favorite of serious sailors around the world, the **TFP (Quick-Release)** model can be instantly fastened to the tiller by simply depressing the plunger and inserting the detent pin into the special tubular fitting supplied. Again, an easy push on the plunger and the hiking stick is released from the tiller. Stow it or take it home with you. It's fast, simple and secure.



TFP QUICK RELEASE



**THE ULTIMATE RACER'S CHOICE.**

EXTENDS FROM HERE StaFAST™

Part No.	Model No.	Telescopes	Tube Dia.
104016	TFP-S	19" to 32"	3/4" - 5/8"
104017	TFP-M	27" to 48"	3/4" - 5/8"
105110	STX 30"	Fixed	3/4"
105120	STX 36"	Fixed	3/4"
108100	SF-S	19" to 32"	3/4" - 5/8"
108101	SF-M	27" to 48"	3/4" - 5/8"

*New composite cam locks give our time tested twist lock tiller extensions a crisp, positive bite while freely unlocking with a quick turn of the wrist.*

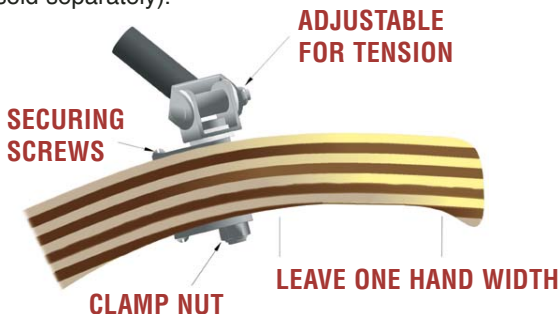
## StaFAST™ END FITTING (SF)

Patented design holds the tiller extension exactly where you leave it. No more sliding down out of reach (not sold separately).

StaFAST™  
STX & SF



5/16" X 2-1/2" bolt



## TILLER CLIPS

Molded of **Marelon**® for exceptional strength.



Part No.	Model No.	Size
941020	MF-671	3/4" Tubing Clip
941021	MF-672	7/8" Tubing Clip
941022	MF-673	1" Tubing Clip
941023	MF-674	1-1/8" Tubing Clip

## TFP QUICK RELEASE



Part No.

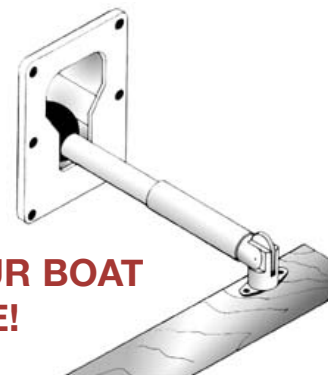
104004 TFP Assembly Complete With Socket  
104006 TFP Socket (receptacle only)

## TILLER LOCK BOX — TLB

This inexpensive product turns any boat with a ball-grip **Forespar**® tiller extension into a boat with a simple, effective and adjustable tiller lock. Install one into your cockpit coaming and you have it in minutes!

Cut-out dimensions :  
3-3/8"w X 4-3/4"h X 1-1/2"d.

Part No.	Model No.
100000	TLB



**LOCKS YOUR BOAT ON COURSE!**

# TILLER EXTENSIONS - Proven Quality & Performance

Supplied By: American Rigging Supply, Inc.

## THE BALL END & GOLF GRIP SWIVEL STICK

Forespar's economical fixed length tiller extension is now a better value. Featuring our removeable Speed Lock (SL) rubber universal end fitting mounted on rugged 5/8" dia. black anodized aluminum tubing with rubber Ball End or Golf Grip style handle. For the small boat (up to 22' maximum) sailor. Available in four of the most popular lengths: 18", 24", 30" & 36".

Part No.	Model No.	Length
102000	SW-18	18 in.
102001	SW-24	24 in.
102002	SW-30	30 in.
102003	SW-36	36 in.
102117	Replacement Speedlock Universal	
102119	Curved Base	
102120	Speedlock Base	

Tube Diameters 5/8"

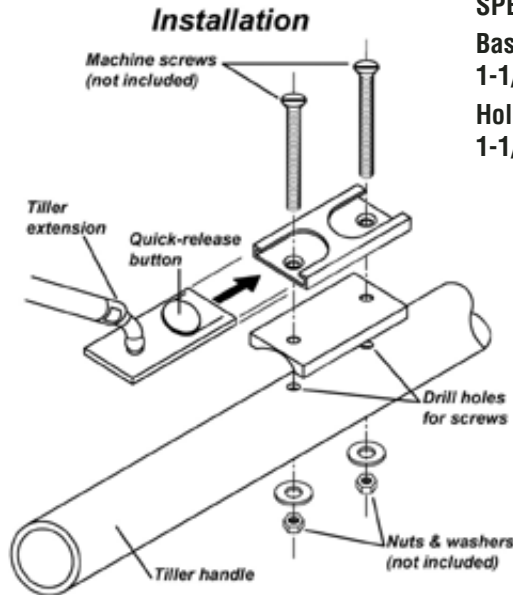


Part No.	Model No.	Length
102008	SWG-18	18 in.
102004	SWG-24	24 in.
102005	SWG-30	30 in.
102006	SWG-36	36 in.
102117	Replacement Speedlock Universal	
102119	Curved Base	
102120	Speedlock Base	

Tube Diameters 5/8"

## SPEED-LOCK UNIVERSAL END (SL)

Forespar® has taken "universal" tiller end fittings to the next level. Our unique "Speed-Lock" end allows for a full 360° of rotation (twist) without binding or failure. It is quickly and easily removed from the tiller by simply depressing the "button" in the base plate and sliding the end out. The base plate is a polymer material for maximum longevity and the universal can be easily unscrewed from the tiller handle and replaced with simple hand tools, if replacement ever becomes necessary



### SPEED-LOCK (SL)

Base dimensions

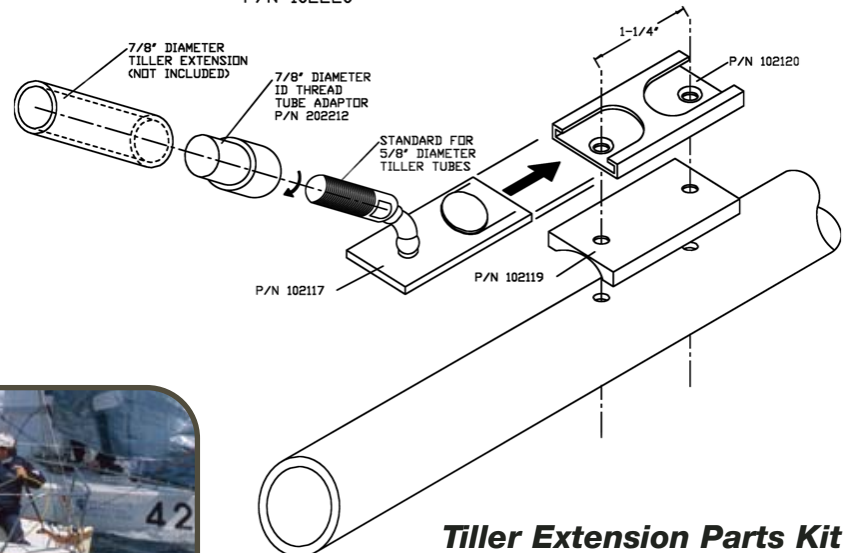
1-1/4" x 2"

Hole Spacing

1-1/4" Centers



TILLER EXTENSION PARTS KIT  
INCLUDING 7/8" DIAMETER ADAPTOR  
P/N 102220



Courtesy of Billy Black

## Tiller Extension Parts Kit

Part No.

102220

# TILLER EXTENSIONS - Proven Quality & Performance

Supplied By: American Rigging Supply, Inc.

## “BIG STICKS” CARBON FIBER TILLER EXTENSIONS

- Light, Stiff, Rugged
- Precise Helm Control

Our rugged, light weight tiller extensions are built to stand the test of time on any go fast dinghy or keel boat. They are simple yet elegant. Nothing to go wrong. 7/8” diameter shaft for a solid grip for either men or women. NO Frills, just an extension! Black only.



Part No.	Model No.	Length
102213	Big Stick Carbon	24”
102214	Big Stick Carbon	30”
102215	Big Stick Carbon	36”
102216	Big Stick Carbon	72”
102217	Big Stick Carbon	48”
102218	Big Stick Carbon	60”



All straight tubes so that they can be modified by each sailor to tailor fit his/her boat. Simply cut the tube to length on the outboard end. All come with our proven “speed lock” design (see page 27) for quick mount/dismount and easy replacement if necessary. The extensions are shipped loose for custom lengths to suite your class requirements.

## OCEANRACER™

- Comfortable Grip
- Infinite Lock Positions
- Stainless Steel TFP Universal Joint
- White Powder Coated Anodized Aluminum Or Carbon Fiber



Carbon Fiber Outer Tube

The Forespar® OceanRacer™ has been the choice of offshore and inshore racing helmsmen for years. Major world events see the OceanRacer™ on top boats from every port. This year, these extensions have been optimized with the addition of a sturdy remote operating trigger and optional StaFAST™ connection.

Constructed of white powder coated anodized aluminum with a stainless steel attachment fitting, this tiller extension is built to withstand the rigors of offshore competition. The OceanRacer™ is unmatched for comfort and control.



Part No.	Model No.	Telescopes
106025	OR-2 (Aluminum w/ TFP Quick Release)	31" to 41"
106225	OR-2-SF (Aluminum w/ Sta-FAST option)	31" to 41"
106400	OR-2 (Carbon Fiber w/ TFP Quick Release)	31" to 41"

Tube Diameter 1-1/4"