

ALUMINUM OR COMPOSITE RADAR SPAR KITS

Supplied By; American Rigging Supply, Inc.



- Choice of fixed platform or fixed platform that articulates either mechanically or electrically
- Choice of aluminum pole with aluminum platform or carbon pole with composite platform
- Electric motor is Mil. Spec. marinized alignment mechanism
- Choice of deck, transom or thru-deck mounting
 - Provisions for optional antenna arm(s)
- Versatile installation kit
- Two sizes of platforms for 16nm and 24nm radomes
 - Carbon has a 30% weight saving advantage 10 – 12 ft above the waterline
 - Poles come 12 ft long to be cut to custom length as needed
 - Painted Awlgrip Matterhorn White unless otherwise specified

ALUMINUM RADAR KITS

FIXED PLATFORM

Part No.	Model *	ALUMINUM	Size
152204	15" Stern Rail Mount		24nm range radomes
152205	15" Thru-Deck Mount		24nm range radomes
152206	12" Stern Mount		16nm range radomes
152207	12" Thru-Deck Mount		16nm range radomes

CARBON FIBER RADAR KITS

FIXED PLATFORM

Part No.	Model *	CARBON FIBER	Size
800960	15" Stern Rail Mount		24 nm range radomes
800965	15" Thru-Deck Mount		24 nm range radomes
800950	12" Stern Rail Mount		16 nm range radomes
800955	12" Thru-Deck Mount		16 nm range radomes

MECHANICAL HAND CRANK ALUMINUM RADAR KITS

ARTICULATING PLATFORM

Part No.	Model *	ALUMINUM	Size
152200	15" Stern Rail Mt. Mech.		24nm range radomes
152201	15" Thru-Deck Mt. Mech.		24nm range radomes
152202	12" Stern Rail Mt. Mech.		16nm range radomes
152203	12" Thru-Deck Mt. Mech.		16nm range radomes

MECHANICAL HAND CRANK CARBON FIBER RADAR KITS

ARTICULATING PLATFORM

Part No.	Model *	CARBON FIBER	Size
800913	15" Stern Rail Mount		24 nm range radomes
800911	15" Thru-Deck Mount		24 nm range radomes
800912	12" Stern Rail Mount		16 nm range radomes
800910	12" Thru-Deck Mount		16 nm range radomes

ELECTRIC TILT ALUMINUM RADAR KITS

ARTICULATING PLATFORM

Part No.	Model *	ALUMINUM	Size
152225	15" Stern Rail Mt. Mech.		24nm range radomes
152227	15" Thru-Deck Mt. Mech.		24nm range radomes
152226	12" Stern Rail Mt. Mech.		16nm range radomes
152228	12" Thru-Deck Mt. Mech.		16nm range radomes

ELECTRIC TILT CARBON FIBER RADAR KITS

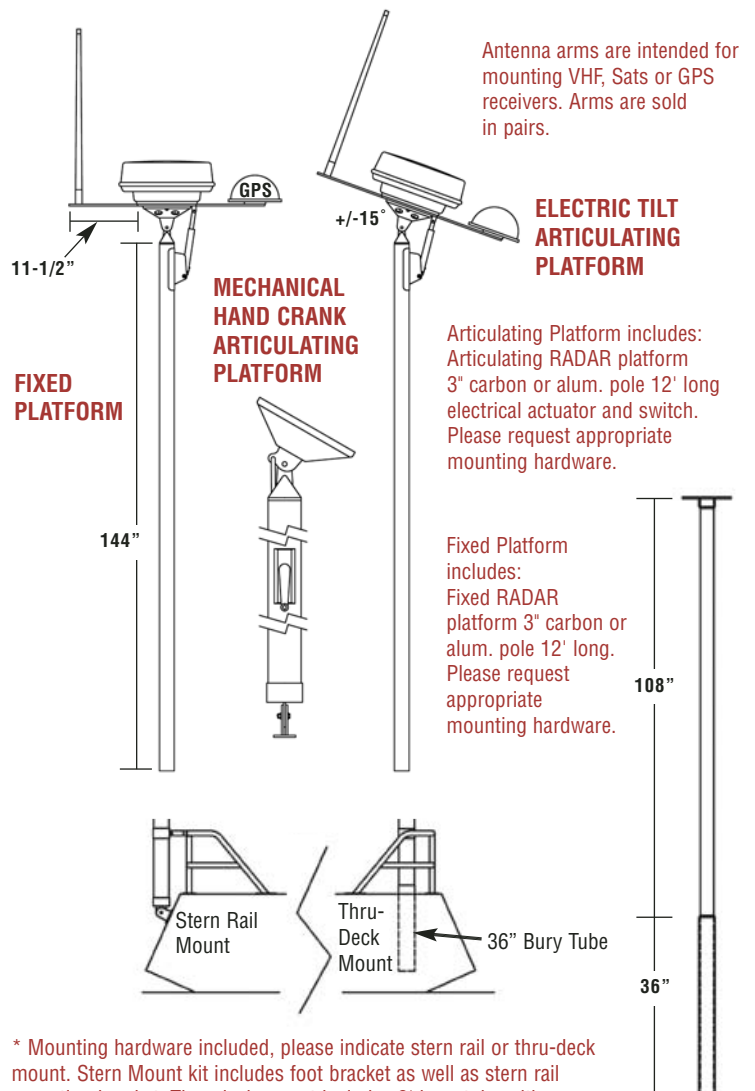
ARTICULATING PLATFORM

Part No.	Model *	CARBON FIBER	Size
800900	15" Stern Rail Mt. Elec.		24 nm range radomes
800905	15" Thru-Deck Mt. Elec.		24 nm range radomes
800920	12" Stern Rail Mt. Elec.		16 nm range radomes
800925	12" Thru-Deck Mt. Elec.		16 nm range radomes

* Standard Carbon and aluminum tubing painted Awlgrip Matterhorn White unless otherwise specified.

CARBON FIBER & ALUMINUM RADAR SPARS

(STANDARD POLE LENGTHS - 12 FT. AND CUSTOMERS SIMPLY CUT TO LENGTH)



* Mounting hardware included, please indicate stern rail or thru-deck mount. Stern Mount kit includes foot bracket as well as stern rail mounting bracket. Thru-deck mount includes 3' bury tube with cap and locking rotational pin.

ANTENNA ARMS

Part No.	Model *	ALUMINUM	Size
800930	Antenna arms (pair)		12" long each
800940	Antenna arms (pair)		15" long each

