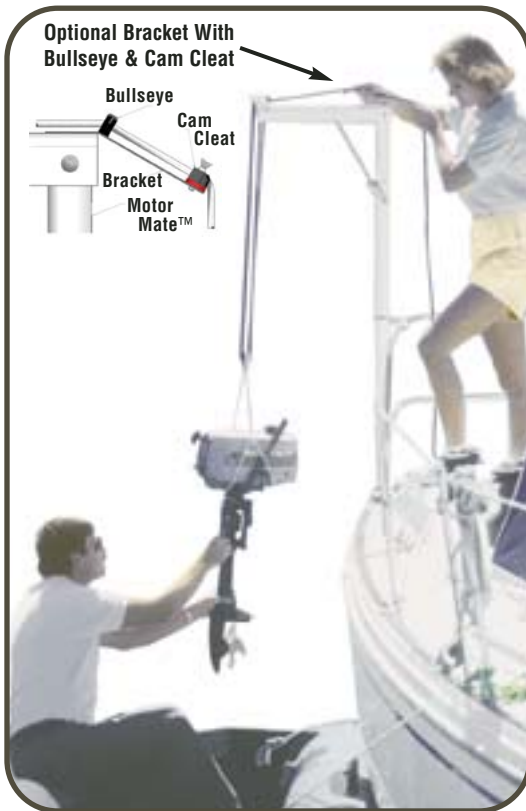


MOTOR MATE™ & CARGO MATE™

Supplied By: American Rigging Supply, Inc.



MOTOR MATE™

Features heavy duty anodized aluminum, powder coated white for added corrosion resistance. The unit stores in its own 31" X 6" bag. Comes with tackle and will lift anything from the dinghy to the cockpit (or vice-versa) up to 100 lbs. Great for the dinghy motor, but also good for SCUBA tanks, ice, duffel bags, groceries, etc.

The **Motor Mate™** uses a **Railfast®** mounted ring on the rail and a "toe" on the cockpit coaming directly under the rail.

- **Light-Weight, Portable, Compact**
- **Ideal for Lifting Outboard Motors, Sea Bags, SCUBA Gear**
- **Lifting Capacity: 100 lbs. (the weight, approximately, of a 15 hp. outboard)**
- **Works Great for Both Power Boats & Sailboats**

Boom length: 20"

Assembled height: 54"

Weight: 12 lbs.

Part No.	Description
153100	Motor Mate™
153104	Base Mount *
153105	Rail Mount *
153130	Cam Cleat Bracket
153109	Vinyl Bag *

*Included with MOTOR MATE™

CARGO MATE™

This heavy duty white powder coated aluminum heavy lifter mounts and dismounts with ease. **CargoMate™** stows neatly in a quality bag, and complete tackle is included. Winch drum capacity provides for 13 vertical feet of lift.

With greater lift capacity, the unit should be thru-deck mounted on sailboats and coaming or transom/swim step mounted on power boats. Deck flange and universal base mount provided as standard. 33" column extensions available.

- **The Big Brother to Motor Mate™**
- **Lifting capacity: 250 lbs.**
- **Integral ratchet type winch provides 15 to 1 lift ratio.**
- **For both Power & Sail.**

Boom length: 34"

Assembled height: 54"+

Weight: 32 lbs.

Part No.	Description
153200	Cargo Mate™
153207	33" Extension Tube
153209	Storage Bag*
153230	Deck Mounting Flange*
153233	Power Boat Mounting Ring

*Included with CARGO MATE™



NOVA DAVIT™ & NOVA LIFT™

Supplied By: American Rigging Supply, Inc.

NOVA DAVIT™

The **Nova Davit™** system represents the "State of the Art" for styling and function. Versatile mounting designs assure a perfect fit with an offshore strength standard. Like all Nova products, a very high standard of finish will make the right statement about your boat. The neat folding feature stows the davit system flush with your boat's stern. The maximum safe working load is 300 lbs. per pair.

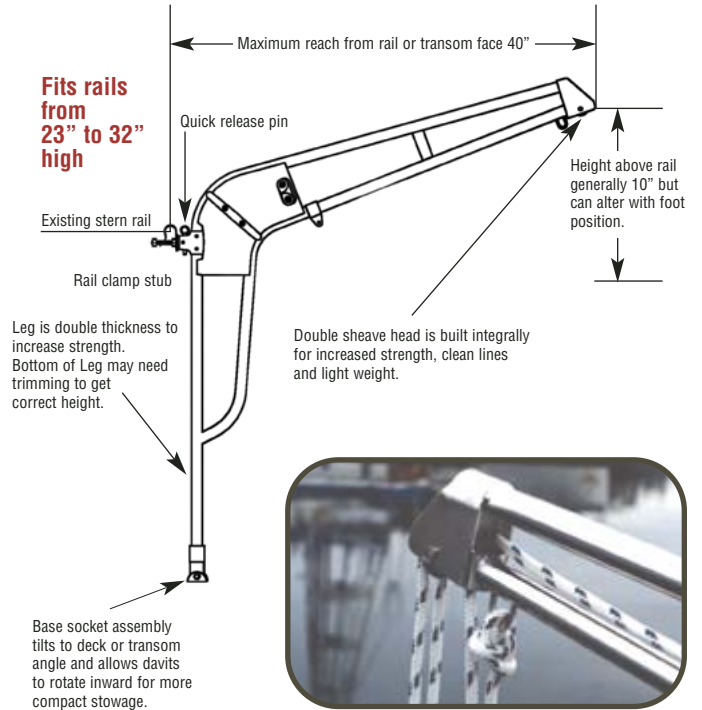
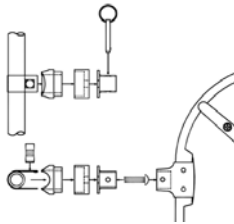


Light Weight, Strong, all 304 Stainless Steel Davits, with New Attractive Lines.

Nova Davit™ Conveniently folds inwards to maintain boat slip length or remove them completely for stowage or racing.

300 lbs. Safe Working Load per Pair

Part No.	Model No.
153302	Nova Davit™
153447	Optional 1-1/4 Rail Mount Kit



NOVA LIFT™

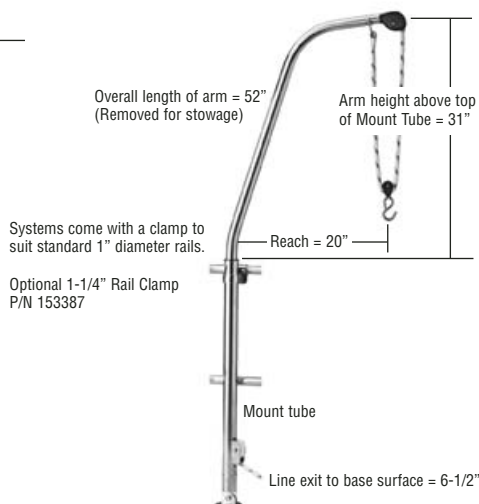
Forespar's Nova products combine elegant styling with superb strength and function. The Patented Nova Lifts use internally led purchase to keep the lifting arm centered over the load. Other brands swing left and right without control. Another valuable feature is the internal lead to your cockpit winch where you have loads of lifting power to make the job easy! **No external block & tackle.**

Nova Lift™ comes with a stainless steel lower mounting tube that will accommodate 30" height rails. Vessels with rails higher than 30" will require the use of a deck pad (not included) to raise the installation to the proper height.

The **Nova Lift™** with winch is ideal for trawlers and motor yachts where sailboat winches are not available.

220 lbs. Maximum Load

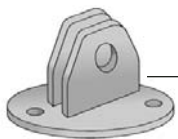
Part No.	Description
153311	Nova Lift™
153312	Nova Lift™ With Winch
153308	Outboard Motor Sling
153387	1-1/4" Rail Adaptor
153303	Plastic Outboard Motor Mount - 1" Rail



Nova Lift™



Nova Lift™ With Winch



Foot Base
Diameter = 3"
Max. angle = 60°
3 x 1/4" holes
Base Swivels