

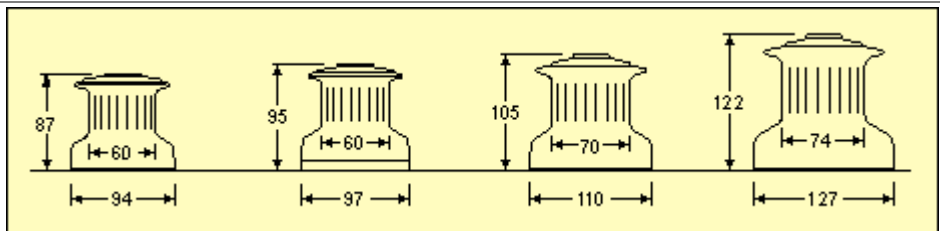
ONE SPEED: DIRECT

Turn the handle clockwise to engage the single direct gear; the handle turns freely counterclockwise.

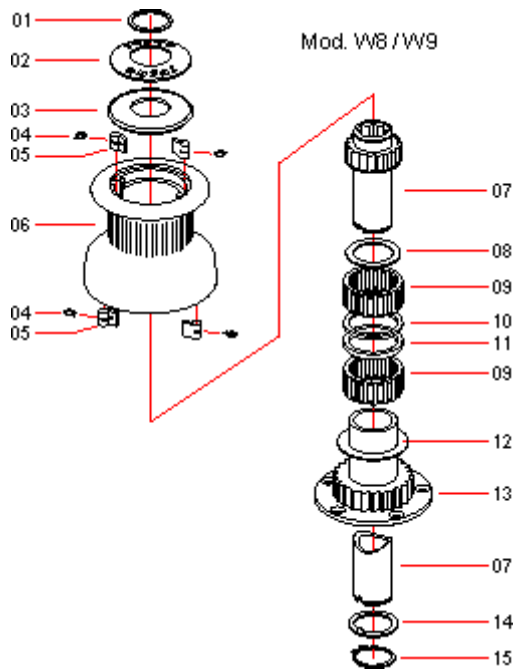
Model **W6** is the smallest and lightest in the range, with a plastic drum, a glass fibre plastic base and an aluminum central rod.

Model **W7** is similar but with an aluminum drum.

Models **W8** and **W9** have an AISI 316 stainless steel central rod, a bronze base and a black anodized aluminum (AL) or chrome-plated bronze (BR) drum mounted on roller bearings.



MODEL	W 6	W 7	W 8	W 9
POWER P1	6.7	6.7	7.3	6.8
RECOVERY S1 (mm)	188	188	220	235
WEIGHT AL (kg)	0.40	0.70	1.50	2.00
WEIGHT BR (kg)	- - -	- - -	2.10	- - -
SCREWS N x Ø (mm)	5 x Ø6	5 x Ø6	5 x Ø6	5 x Ø6



W5
 Snubbing winch without handle. Completely plastic made.
 Base d = 80 mm; drum d = 50 mm;
 height h = 66 mm; weight = 150 gr;
 fasteners 4 x 6 mm screws.