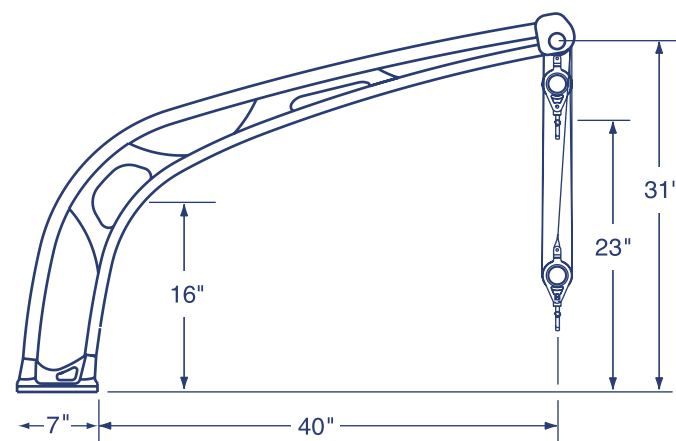




Optional Mounting Shoe



Actual Davit Foot measures 7-1/8" x 5-3/4"



EDSON STAINLESS DAVIT FEATURES:

- Built of highly polished, marine grade 316 Stainless.
- Includes 33' lifting line, blocks and cleats.
- Optional Stainless Mounting Shoes allow for ease of mounting and removal.
- 5:1 Lifting Tackle included.
- Optional Connecting Bar available for added support and rigidity.
- Positive-locking Spinlock™ cam-cleats holds lifting tackle securely.
- Long 40.5" (103cm) reach and 31" (79cm) rise make lifting and storage of most all dinghies possible.
- 250 lb (113 kg) capacity.



IMPORTANT

- Practical lifting capacity of a davit rigged with a 5:1 purchase is 250 lbs (113 kg).
- Davits must be properly installed with backing plates to provide adequate strength.
- **The total weight of the dinghy and motor should not exceed the safe working load of one davit or 250 lbs (113 kg).**
- **CAUTION**
Water should not be allowed to collect in the dinghy or inflatable while being held in Davits. Dinghy should be covered or equipped with a drain to allow water to escape. Failure to do so could damage the davits and dinghy. A dinghy on davits should not extend beyond the sides of the boat to prevent catching water when rolling or heeling.

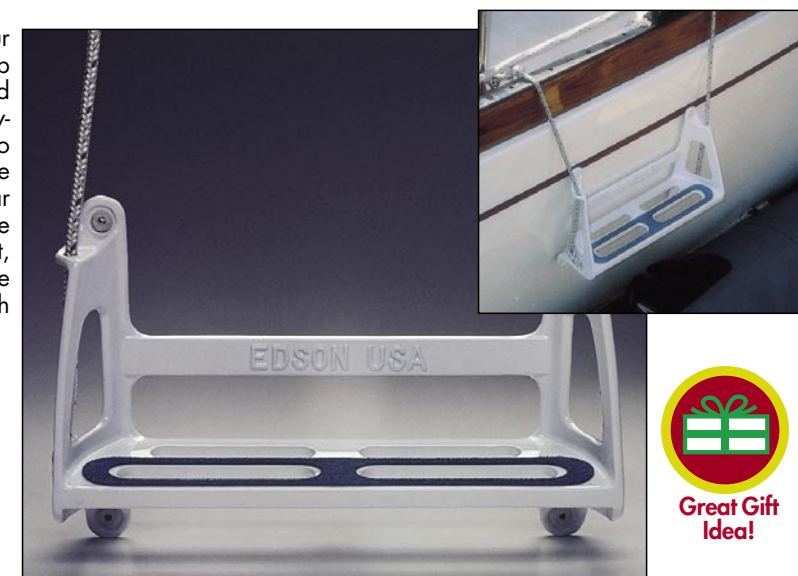
Stainless Davit Ordering Information

Edson Stainless Davit (2 required) - Order #500ST-4030
 Optional Stainless Mounting Shoe (2 required) - Order #508ST-78
 Optional 5' Stainless Connecting Bar - Order #513ST-1125-60
 (custom length Connecting Bars available)

Edson One-Step™ Boarding Step

If the deck of your boat seems to be getting higher and your dinghy seems to be getting lower, get Edson's "One-Step Boarding Step". Edson makes getting onboard safer and easier. Cast in aluminum and coated with durable, glossy-white baked-on Urethane coating, this Step is designed to attach to your lifeline gate stanchions and hang against the side of your boat. It has neoprene bumpers that won't mar your topsides, and the built-in handles give you a secure handhold. The Boarding Step is lightweight and compact, taking up minimal space in locker compared to cumbersome ladders. Comes complete with 6 ft. of braided line with stainless snap shackles. *Wt. 5 lb (2.3 kg).*

One-Step Boarding Step with Line - Order #520-14
One-Step Boarding Step without Line - Order #520-14LL

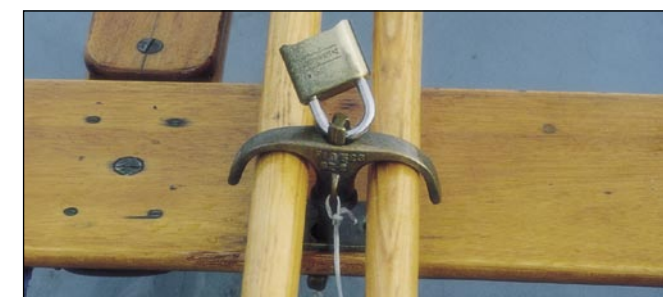


Great Gift Idea!

Edson Oar-Loc™

Cast in bronze, this convenient oar locking device is ideal for those who want to leave their oars safely with the dinghy at yacht clubs or public docks. Edson's unique design is easy to operate because the lock is on the top of the seat. You can also lock up your oarlocks by drilling two more holes and putting your oarlocks under your oars. Lock not included. *Wt. 1.35 lb (.6 kg).*

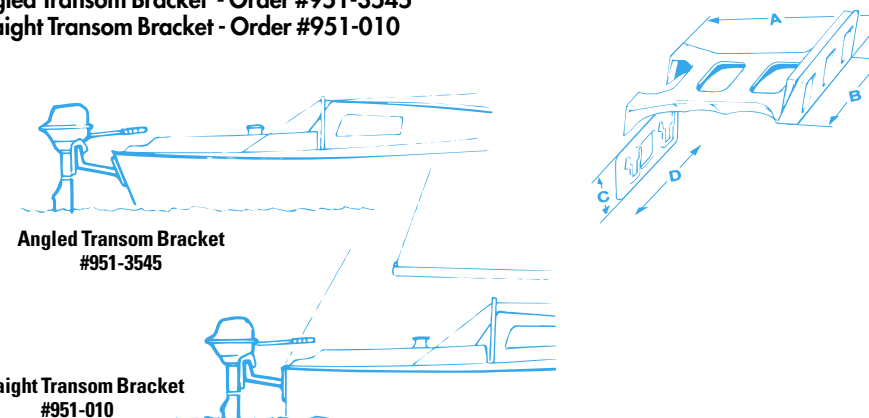
Edson Oar-Loc™ - Order #523-2



Bronze Outboard Motor Brackets

Edson's Bronze Outboard Brackets are designed as an engine mount for use on dinghies and small sailboats. The mounting plate is permanently fastened to the boat's transom. The bracket slides into the plate and is held in place by two stainless steel clips. The outboard motor bracket is available for two different transom angles. Order Size 010 for transoms with 10° angle or Size 3545 for angles of 35° - 45°. Will hold outboards up to 4 HP.

Angled Transom Bracket - Order #951-3545
Straight Transom Bracket - Order #951-010



OUTBOARD BRACKET ORDERING GUIDE

Order#	Dimensions				Weight lbs (kg)
	A	B	C	D	
951-3545	9" (23 cm)	8" (20 cm)	4" (10 cm)	8" (20 cm)	8½ (3.9)
951-010	14" (36 cm)	8" (20 cm)	4" (10 cm)	8" (20 cm)	10½ (4.8)

Stern Rail Outboard Motor Mount

Built to hold motors up to 15 hp or 100 lbs/45 kg. Convenient cleat and side handles allow you to tie the motor and lock it safely on board. The non-corroding polished 316 stainless bracket with non-skid pad, bolted to the UV stable poly backing board always looks ship-shape... no more varnishing. Comes complete with hardware to attach to any standard 1" (2.5cm) or 1 1/4" (3.2 cm) stainless rail. Bottom cleat comes unattached so that it will fit any rail spacing.

Note: 1 1/4" rail version comes complete with anodized aluminum bracket, stainless cleat and stainless U-bolt for 1 1/4" railing. Wt. 10 lb (4.5 kg).

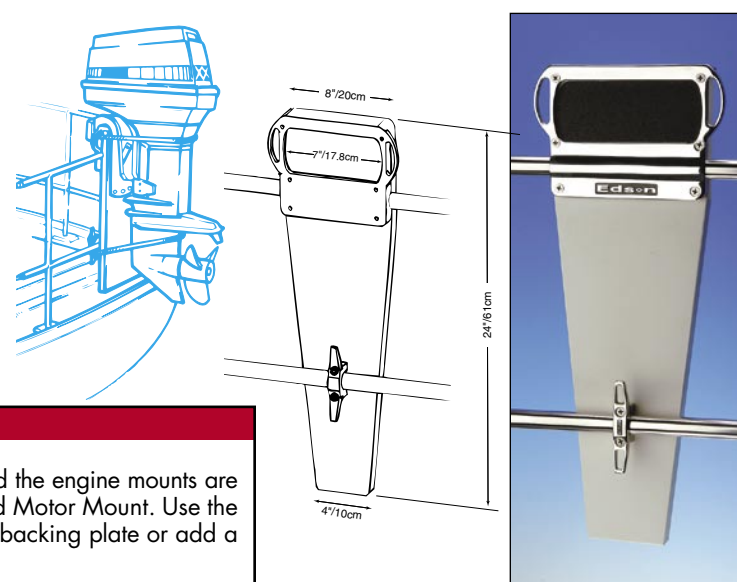
Outboard Mount for 1" Railing - Order #521-100ST (shown)

Outboard Mount for 1 1/4" Railing - Order #521-125AL



Warning

Be sure the engine is securely tied onto the backing board and the engine mounts are tightened whenever the engine is stored on Edson's Outboard Motor Mount. Use the tilt feature on the engine to allow the lower unit to rest on the backing plate or add a block of wood to provide this support.



Bronze Dinghy Anchor

Remember those great navy anchors of yesteryear? They were as functional as they were good looking. Now Edson has reintroduced the design as the perfect dinghy anchor. Its cast bronze construction will last for generations. This Bronze Dinghy Anchor weighs 6 pounds (2.7 kg) and comes complete with 33 ft (10 m) of 5/16" braided line and a handy stowage bag. Wt. 8 lb (3.6 kg).

Bronze Dinghy Anchor with Bag and Line - Order #522-6

Bronze Dinghy Anchor without Bag and Line - Order #522-6LL



Great Gift Idea!

Stern Rack for Inflatables

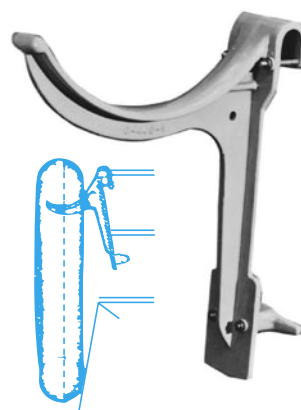
Stow it - Don't tow it! Edson's durable glossy white powder-coated aluminum brackets hold your dinghy securely against the transom of your sailboat. Designed to bolt directly to your stern rail they will carry the standard inflatable approximately even with the top of your stern railing. Designed to fit inflatables with 12" (30.5 cm) to 16" (40.6 cm) diameter air chambers. They can also carry bicycles and you can stow your inflatable when the boat is at your marina. Fits 1" (25.4 mm) railing.

Wt. 6 lb (2.7 kg) per pair.

Stern Rack for Inflatables (Pair) - Order #511-151



Cleat/Bracket can be mounted to horizontal or angled rail.



Leather Spreader Boot Kits



Mariners have been using leather for centuries to prevent premature wear of their sails. Leather will easily outlast and outperform materials of lesser quality, like rubber or tape, when exposed to sun and salt in the harsh marine environment. Edson's custom-cut, hand-stitched Leather Spreader Boots will protect your sails from costly tears and chafe, providing you peace of mind at sea and leaving more money in your pocket. Each kit includes two pre-punched Dove Gray Leather Spreader Boot Covers, heavy waxed polyester thread for lacing, hand-stitching needle and instructions.

LEATHER SPREADER BOOT KIT ORDERING GUIDE

Size	Circumference	Diameter	Order #
Small	3 1/2"	1"	#1401-1
Medium	6 1/2"	2"	#1401-2
Large	9 1/2"	3"	#1401-3



Great Gift Idea!

Leather Turnbuckle Covers

Edson's Leather Turnbuckle Covers add a distinctive look while protecting your lines and sails from premature wear. These high quality turnbuckle covers will not crack or deteriorate like plastic and offer more complete coverage, are better looking and longer lasting than tape. Add the look and feel that only comes with leather. Available in Dove Gray, they are attached and removed easily with pre-fastened, industrial grade hood-and-loop strips. Sold individually.

LEATHER TURNBUCKLE COVER ORDERING GUIDE

Size	Fits Turnbuckles	Dimensions	Order #
Small	3/8"	1" x 12"	#1405-12
Medium	1/2"	1 1/2" x 18"	#1405-14
Large	5/8"	1 3/4" x 24"	#1405-24



Great Gift Idea!



Leather Shackle Pulls



When hands are cold, tired and wet, sometimes they need a little assistance with stubborn snap shackles and sticky zippers. Edson's custom-cut "whale tail" Dove Gray Leather Shackle Pulls are durable and the "whale tail" prevents them from coming undone.

Attach them to anything you need to get your hands on quickly. Snap shackles and blocks, zippers on your foul weather gear, luggage zippers, cushion zippers, quick-release pins - you name it and you

will wonder how you got this far without them.

Sold in packages of 10.

Edson Leather Shackle Pulls (Package of 10) - Order #1404-5

Leather Chaffing Gear

Edson's Leather Chaffing Gear is ideally suited for protecting mooring lines, anchor rodes, dock lines and spreader tips.

BUCK TAN LEATHER

2 1/2 Sq. ft - Order #858TAN-2.5

5 1/2 Sq. ft - Order #858TAN-5.5

11 Sq. ft - Order #858TAN-11

22 Sq. ft - Order #858TAN-22

DOVE GRAY LEATHER

2 1/2 Sq. ft - Order #858GRAY-2.5

5 1/2 Sq. ft - Order #858GRAY-5.5

11 Sq. ft - Order #858GRAY-11

22 Sq. ft - Order #858GRAY-22

