

The Magnetic Marine Compass is probably still the most important navigation instrument that you can have on any boat. A properly installed and adjusted compass will allow you to steer straighter, more accurate courses. A magnetic compass combined with good navigational skills will get you home when all other instruments fail. Because Edson understands the importance of the proper installation of a compass you can be assured that all of our steering pedestals have been designed and manufactured to accept the wide variety of compasses without interfering with their sensitive magnets. These compasses can also be purchased for standard flush or binnacle deck mounting at the bridge or helm station.

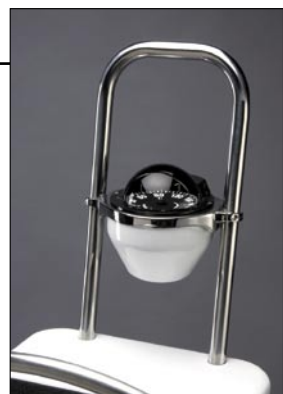
Edson Vision Series™ Compass Bowl

Edson's Compass Bowl allows the mounting of a flush-mount compass between the guard pipes. Ideal for installations where there is limited space on the pedestal for the compass or the compass needs to be mounted away from instruments that may cause magnetic deviation. It also puts the compass higher, closer to the line of sight, making steering a course much easier, especially at night. Robust Stainless and thermoformed ABS construction. Mounts between Edson Standard guard pipes with 9-1/2" centers. Stainless mounting hardware included.

Edson Compass Bowl for 3.5" & 4" Compasses – Order #2150-95-4

Edson Compass Bowl for 5" Compasses – Order #2150-95-5

NOTE: Pedestal Guard sold separately - see page 36.



Flush Compasses

For Use With Edson Vision Series™ Pedestals and #856 Compass Cylinders

Flush Mount Compasses can be mounted directly on an Edson Vision Series "MV" Pedestal or to a Classic Pedestal by using the #856 Compass Cylinders shown on page 43. These compasses have either 3 3/4", 4" or 5" dials with 5° increments, full internal gimbals, 45° lubber lines, night lighting in a movable sun shield and adjustable compensators. These Ritchie Compasses are available in either white or black finish.

Flush Mount Compasses with 3 3/4" dials:

Ritchie Helmsman Black (shown)
Ritchie Helmsman White

Order #658-HF-742
Order #658-HF-742W

Flush Mount Compasses with 4" dials:

Ritchie Navigator Black
Ritchie Navigator White (shown)

Order #658-FN-201
Order #658-FNW-201

Flush Mount Compasses with 5" dials:

Ritchie SB500 (shown above)

Order #658-SB500



Binnacle Compasses

For Edson 336, 402 and 464 Pedestals

Binnacle Compass can be mounted directly to the Edson Spacemaker Pedestals using the standard 4-bolt pattern on the top of the pedestal or optional Edson Engine Control Housing. Ritchie manufactures binnacle models with choices of 4 1/2", 5" or 6" dial sizes and optional finishes and materials. They all have 5° increments, built-in compensators, night lighting, full gimbals and 45° lubber lines.

Binnacle Mounts with 4 1/2" dials for 335 & 336 Pedestals:

Ritchie Navigator Stainless
Ritchie Navigator Black (shown)
Ritchie Navigator White (shown)

Order #658-DNP-200
Order #658-DNB-200
Order #658-DNW-200

Binnacle Mounts with 5" dials for 335 & 336 Pedestals:

Ritchie Globemaster SP-5 (shown)
Ritchie Globemaster SP-5B

Order #658-SP-5C
Order #658-SP-5B

Traditional Binnacle Mount with hood, 5" dials for 336 Pedestals:

Ritchie Globemaster Stainless (shown)
Ritchie Globemaster Brass

Order #658-D-515-EP
Order #658-D-515-EX

Traditional Binnacle Mount with hood, 6" dials for 402, & 464 Pedestals:

Ritchie Globemaster Stainless
Ritchie Globemaster Brass (shown)

Order #658-D-615-EP
Order #658-D-615-EX



Compass Cover

Edson's Compass and Instrument Cover protects your compass or pod mounted instruments. The cover is made of sun-resistant white vinyl laminate with a Velcro tie.

Compass Cover for Edson #336 & #337 Pedestals – Order #693-5



Ritchie Weather Shield

Edson recommends the use of the Ritchie Weather Shield with the installation of any Binnacle Mount Compass on Edson 335 & 336 Pedestals. The weather shield helps prevent water infiltration into the pedestal or below decks through the pedestal.

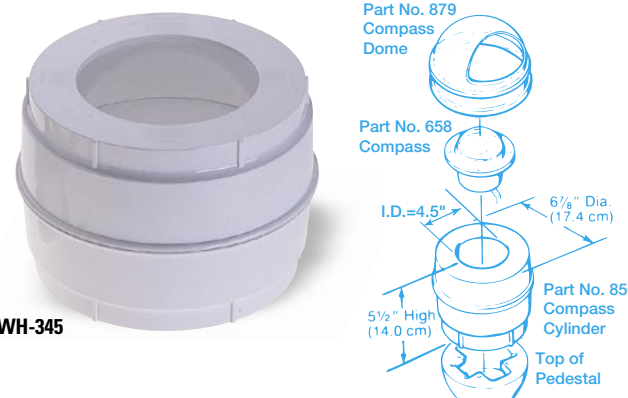
Ritchie Weather Shield - Order #658-WS-P



Compass Cylinder

Edson's Compass Cylinders are distinctive, non-reflecting, and virtually indestructible. Great for new boats or upgrading your existing pedestal to a larger, easier to read compass. Fits Edson's 335 & 336 pedestals, stands 5 1/2" high and accommodates flush mounted compasses up to a 6 7/8" flange diameter.

White Compass Cylinder – Order #856WH-345



Edson Compass Dome

This unique and original design protects your compass from spray and rain and dresses up your pedestal. Shatterproof and dent-proof, the Edson Compass Dome is made of an optical quality Lexan® which permits viewing of the compass card through the dome. Shaded to eliminate glare on sunny days, the compass dome is a low-cost alternative to stainless steel domes.

Smoky Dome for use with #856 Compass Cylinder – Order# 879SM-5



Pedestal Top Adapters

Edson's Pedestal Top Adapters allow you to adapt nearly any compass to an Edson pedestal. They can also be used as a pedestal cover when not installing a compass. They are available in natural teak or white marine-grade polymer. Furnished with pre-drilled holes and flat head machine screws to attach to Edson Pedestals. The #694WH-6-45 allows a 5" dial compass with 7" (178 mm) base to be adapted to the Edson #402 or #464 Classic CD-i Pedestal. Wt. 1 lb (.45 kg).

Teak Top Adapter for Edson #335 & 336 Pedestal – Order #694TK-45

White Top Adapter for Edson #335 & 336 Pedestal – Order #694WH-45

White 8" to 7" Adapter - Order #694WH-6-45



Compass Bolts

Edson offers two sizes of 1/4-20 bolts: 1" long or 3 1/2" long Phillips Head Machine Screws coated with a state-of-the-art process that is designed to eliminate the galvanic reaction between stainless and aluminum. Edson now uses these bolts as standard equipment for fastening the compass and engine control to the top of the pedestal. We highly recommend these bolts as they facilitate inspection and maintenance of your pedestal steering.

Wt. 8 oz (204 kg).

Set of Four 1" Edson Compass Bolts – Order #817-1

Set of Four 3 1/2" Edson Compass Bolts – Order #817-3.5



Compass Light Wire

Non-magnetic braided wire. For new installations or re-wiring an existing compass. Have some extra on board. Available in 10, 25, or 30 foot lengths.

10' (3 m) Compass Wire - Order #669-10

25' (7.6 m) Compass Wire - Order #669-25

30' (9 m) Compass Wire - Order #669-30



Rubber Wire Connectors

Two-prong, rubber plugs for easy disconnecting of compass lights during pedestal or compass servicing. Handy for many other shipboard uses.

Order #672-1

Pedestal Accessories

Pedestal Accessories