

Edson's Cockpit Tables increase the versatility of your Edson Pedestal and turn the cockpit into the social center of your boat. The many different styles available are all constructed of Solid Teak or White Poly and come complete with stainless mounting hardware. Edson's Cockpit Tables have earned the reputation as the highest quality, best built tables on the market!

### Edson Teak Tables :

- Solid Teak Construction
- Easily removable for storage
- Non-Magnetic Stainless Hardware
- No Legs to get in the way!
- Quick-Release pin for easy removal.
- All Fasteners are Stainless and Bunged.
- Clip holds Table firmly to Pedestal Guard when folded down.
- Natural Teak, ready for the finish of your choice.

### Edson Poly Tables:

- Constructed of solid, UV Stable white marine-grade polythylene.
- Non-Magnetic Stainless Hardware
- Easily removable for storage.
- No Legs to get in the way!
- All Stainless Fasteners
- Will not rot, swell or delaminate when exposed to humidity or moisture.
- Scuff and scratch resistant.

## Fold-Down Drop-Leaf Tables



**Now Featuring  
Clamp-On Table  
Hardware - No  
Drilling Required!**



White Poly Folding Drop-Leaf Cockpit Table



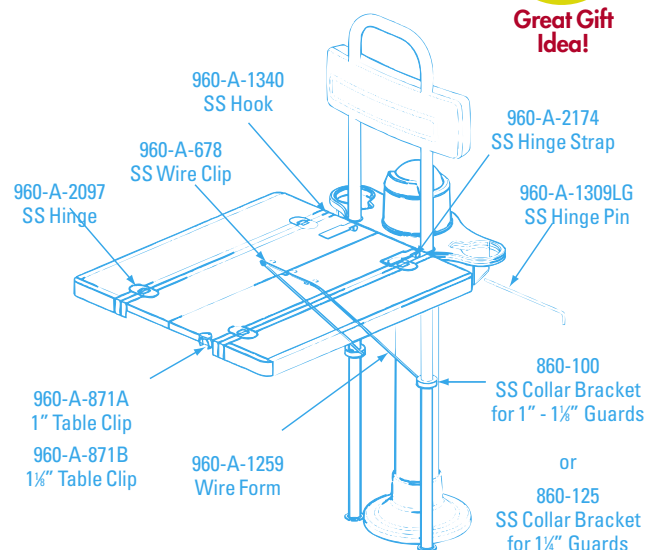
Edson's Fold-Down Drop-Leaf Tables turn your cockpit into a comfortable dining area. They fold down and clip against the guard when not in use. By simply swinging the table up and clipping the formed wire brackets into place, the table is ready for use. When the leaves are closed you have a 27" (68.6 cm) long by 13" (33 cm) wide table with fiddle rails. With the leaves folded out the table area increases to a full 27" x 26" (68.6 cm x 66.1 cm).



Also available with hardware for Console or Vision Series Pedestal Mounting (see ordering guide)



Great Gift Idea!



### COCKPIT TABLE ORDERING GUIDE

Description	Weight Each	Order #
<b>Teak Fold Down Drop Leaf Tables</b>		
For Edson 9 1/2" Guard (1" and 1-1/8" dia. pipes)	19 lbs (8.6 kg)	737TK-95-28
For Edson 9 1/2" Guard (1-1/4" dia. pipes)	19 lbs (8.6 kg)	737TK-95-28-125
For 12 1/2" Guard (1" and 1-1/8" dia. pipes)	19 lbs (8.6 kg)	737TK-125-28
For Vision Series / Console Pedestals	18 lbs (8.2 kg)	737TK-C-28
<b>White Poly Fold Down Drop Leaf Tables</b>		
For Edson 9 1/2" Guard (1" and 1-1/8" dia. pipes)	19 lbs (8.6 kg)	737WH-95-28
For Edson 9 1/2" Guard (1-1/4" dia. pipes)	19 lbs (8.6 kg)	737WH-95-28-125
For Vision Series / Console Pedestals	18 lbs (8.2 kg)	737WH-C-28
<b>Teak Fold Down Luncheon Tables</b>		
For Edson 9 1/2" Guard (1" and 1-1/8" dia. pipes)	15 lbs (6.8 kg)	761TK-95
For Edson 9 1/2" Guard (1-1/4" dia. pipes)	15 lbs (6.8 kg)	761TK-95-125
For Vision Series / Console Pedestals	14 lbs (6.3 kg)	761TK-C-28
<b>White Poly Fold Down Luncheon Tables</b>		
For Edson 9 1/2" Guard (1" and 1-1/8" dia. pipes)	15 lbs (6.8 kg)	761WH-95
For Edson 9 1/2" Guard (1-1/4" dia. pipes)	15 lbs (6.8 kg)	761WH-95-125
For Vision Series / Console Pedestals	14 lbs (6.3 kg)	761WH-C-28

For Table Hardware Kits, see page 47.

## Fold-Down Luncheon Tables



Teak Luncheon Table - #761TK - see ordering guide on previous page for options

Edson's Fold-Down Luncheon Tables are designed to offer a very handy table to fit smaller cockpits and are an ideal cockpit cocktail table. Measuring 13 1/2" x 24" (34.3 x 61 cm) and equipped with fiddle rails on both sides and ends, the Luncheon Table is available in both Teak and White Poly. When not in use, the table folds flat against the guards or can be easily removed from its guard mounted strap by pulling out the hinge pin. Comes complete with all mounting hardware.



Also available with hardware for Console or Vision Series Pedestal Mounting (see ordering guide)



White Poly Luncheon Table - #761WH (cup holder not included)

## Table Accessories

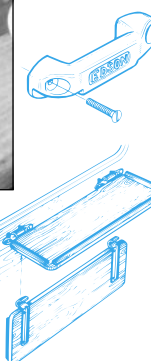


Edson's Fold-Down Tables can be stowed right at the pedestal. By simply swinging the table up and clipping the wire form into place, the table is ready for use. The Fold-Down Tables feature a quick release pin for complete removal. All Edson Fold-Down Tables also come complete with **Edson's Table Clip** to hold the table securely against the guard when table is down.  
**Two Spare Table Clips - 1" - Order #960-A-871-A 1 1/2" - Order #960-A-871-B**

**Edson's Table Cover** is designed to cover Edson Fold-Down Tables in their stowed position. Constructed of gray vinyl laminate with Velcro fasteners, it will keep your Edson table protected from the elements and looking great for years to come.  
**Wt. 1 lb (.4 kg). Table Cover - Order #738-28**



**Edson's Teak Traybles™** are an easy way to expand the dining area of your Edson Teak Luncheon Tables. The Trayble can be loaded with food in the galley, handed through the companionway, and fitted onto the fiddlerail of your Edson Teak Luncheon Tables. Traybles come complete with mounting brackets that hook over the existing Luncheon Table's fiddlerails - no fittings, hooks or bolts required.  
**Wt. 5.5 lb (2.5 kg). Teak Trayble™ - Order #928-24**



**Edson's Trayble™ Mounting Brackets** allow Traybles to mount to any vertical surface, adding valuable counter space below. These polished aluminum brackets also allow the Trayble to reverse on its own mounting brackets, storing compactly against the vertical mounting surface. Sold individually - 2 required.  
**Wt. 6 oz (.2 kg). Trayble™ Mounting Bracket - Order #932-4**



**NEW!**



Edson's new **Stainless Drink Holders** are cast from solid marine-grade 316 stainless and come in single, double or triple versions. They are available with cast stainless brackets for mounting to Edson Steering Pedestal Guard Pipes, within easy reach of captain and crew. They are also available either alone, for mounting to a flat surface or mounted to a base (white poly or unvarnished teak) for easy portability to a convenient location anywhere on the boat.

Edson's new drink holders are designed to fit Koozies, cans, mugs and large cups up to 3-3/8" in diameter. The elegant design also features an open frame to accommodate coffee cup handles. The drink holders sit 3" high when installed and are highly polished in Edson's classic "boat jewelry" style. They also feature well-rounded edges and a sleek design that will look great on any boat. For installation, an installed threaded stud allows a secure through bolt installation and a locator stud (on single and double versions) keeps them from turning once in place. And since they are cast in marine-grade stainless they won't rust, bend or break.



**Triple - Guard Mount - Teak Base**  
#878TK-3-95  
(varnished by customer)



**Single**  
#878ST-1



**Double**  
#878ST-2



**Triple**  
#878ST-3

**NEW!**

Now featuring cast 316 Stainless Mounting Hardware for 1", 1-1/8" and 1-1/4" dia. Guard Pipes.



Threaded stud for mounting and locator pin to keep from rotating. Washer and nut included.

### STAINLESS DRINK HOLDER ORDERING GUIDE

Order #	Description	Wt lbs (kg)
878ST-1	Stainless Single Drink Holder	2 (.9)
878WH-1	Stainless Single Drink Holder - White Poly Base	2 (.9)
878TK-1	Stainless Single Drink Holder - Teak Base	2 (.9)
878ST-2	Stainless Double Drink Holder	2 (.9)
878WH-2	Stainless Double Drink Holder - White Poly Base	2 (.9)
878TK-2	Stainless Double Drink Holder - Teak Base	2 (.9)
878ST-3	Stainless Triple Drink Holder	2 (.9)
878WH-3	Stainless Triple Drink Holder - White Poly Base	2 (.9)
878TK-3	Stainless Triple Drink Holder - Teak Base	2 (.9)
878WH-3-95	Stainless Triple Drink Holder - White Poly Base - Guard Mount	2 (.9)
878TK-3-95	Stainless Triple Drink Holder - Teak Base - Guard Mount	2 (.9)

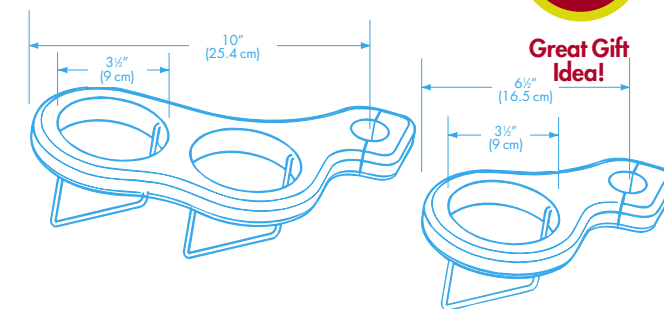
NOTE: Guard Mount hardware is designed to fit 1", 1-1/8" and 1-1/4" guard pipes.

Edson's **Swing-Out Drink Holders** are an all-new addition to the versatile line of Edson Drink Holders. A convenient and simple to install clamp-on design attaches to any 1", 1 1/8" or 1 1/4" vertical pipe. When mounted on a pedestal guard, the swivel design allows the holders to extend forward of the pedestal to be easily reached by the crew, or stored near the pedestal for protection and easy access to the helmsman. Available in single or double versions. Constructed of white polyethylene and can be mounted either port or starboard by simply removing the wire-form and turning upside down. Sized for cans in Koozies™ or larger cups.

- Single Swing-Out Drink Holder for 1" - 1 1/8" Tubing - Order #820WH-100-1
- Single Swing-Out Drink Holder for 1 1/4" Tubing - Order #820WH-125-1
- Double Swing-Out Drink Holder for 1" - 1 1/8" Tubing - Order #822WH-100-2
- Double Swing-Out Drink Holder for 1 1/4" Tubing - Order #822WH-125-2



Great Gift Idea!



### Hardware Kits for Do-It-Yourselfers

Edson's "Hardware Only" Kits are for the handyman who wishes to design and build his own cockpit table or accessories based on Edson's tried and true designs. Select the size table you prefer and match with the hardware shown here. All kits are complete with instructions and stainless hardware.

**NEW!**



#859-8



#931-10



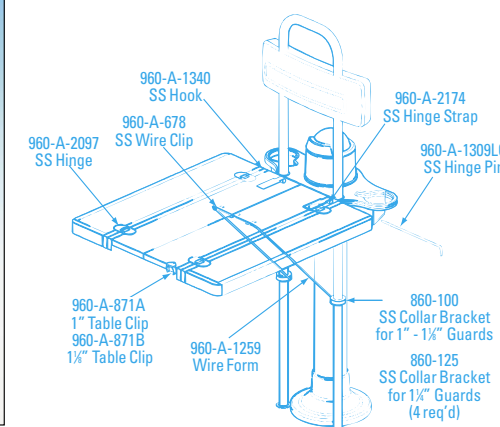
#860-125



#860-100



#785-761 Table Hardware



### HARDWARE KIT ORDERING GUIDE

Order #	Used On	Wt lbs (kg)
785-737-95	#737 Drop Leaf Table w/9.5" Guards (includes Hinges)	3 (1.4)
785-737-125	#737 Drop Leaf Table w/ 12.5" Guards (includes Hinges)	3 (1.4)
785-737-95-125	#737 Drop Leaf Table w/ 9.5" Guards and 1 1/4" dia. (includes Hinges)	2 (.9)
785-761-95	#761 Luncheon Tables w/ 9.5" Guards	2 (.9)
785-761-125	#761 Luncheon Tables w/ 12.5" Guards	3 (1.4)
785-761-95-125	#761 Luncheon Tables w/ 9.5" Guards and 1 1/4" dia.	2 (.9)
859-8	All Glass Holders	.2 (1.1)
860-100	Clamp-On Table Mounting Hardware for 1" - 1 1/8" Guards	.17 (3)
860-125	Clamp-On Table Mounting Hardware for 1 1/4" Guards	.17 (3)
927-100	#821 Gimballed Drink Holder	.2 (1.1)
931-10	#928 Traybles	1 (4)

Pedestal Accessories

Pedestal Accessories