

All Edson Steering Chain, Wire and Fittings are constructed of the highest quality marine-grade, non-magnetic materials. For replacements, measure your existing Chain and Wire Rope sizes and lengths. Or contact Edson or your local dealer for the original equipment specification on your boat.

Edson's Chain and Wire Rope Kit

One length of roller chain and two lengths of wire are assembled in the sizes and lengths you request. The connections between wire and chain are covered in clear shrink plastic to prevent fouling. All roller chain and wire rope are stainless, and the chain end fittings are cotter-pinned for ease of maintenance.

Chain & Wire Rope Assembly - Order #775 - Specify Size
(See Selection Guide below and Price Page for Sizes).

STANDARD CHAIN AND WIRE KIT ORDERING GUIDE

Roller Chain Size	Connector Type	Length of Chain	Diameter of Wire	Length of Each S.S. Wire Rope	Order #
1/2" - #50	Stainless Clevis #736	1.5/46 m	3/8" / 9.5 mm	7/2 m	#775-2S15B7
3/4" - #50	Stainless Clevis #736	1.5/46 m	3/8" / 9.5 mm	9/2.75 m	#775-2S15B9
1" - #50	Stainless Clevis #736	1.5/46 m	3/8" / 9.5 mm	13/4 m	#775-2S15B13
1/2" - #50	Stainless Clevis #736	2/1.6 m	3/8" / 9.5 mm	7/2 m	#775-2S2B7
3/4" - #50	Stainless Clevis #736	2/1.6 m	3/8" / 9.5 mm	9/2.75 m	#775-2S2B9
1" - #50	Stainless Clevis #736	2/1.6 m	3/8" / 9.5 mm	13/4 m	#775-2S2B13
1/2" - #50	Stainless Adapter #635	2/1.6 m	1/2" / 12.7 mm	9/2.75 m	#775-2B2D9
3/4" - #50	Stainless Adapter #635	2/1.6 m	1/2" / 12.7 mm	26/8 m	#775-2B2D26
1" - #50	Stainless Adapter #635	2.5/7.5 m	1/2" / 12.7 mm	9/2.75 m	#775-2B25D9
1" - #50	Stainless Adapter #635	2.5/7.5 m	1/2" / 12.7 mm	26/8 m	#775-2B25D26

* A master link is centered in each chain on preassembled kits.

Edson's Chain Kit

Consists of the specified length of chain, two chain-to-wire adapters and two lengths of shrink wrap to cover the chain-to-wire adapters. When ordering, please note the size of wire to which the chain is being attached so that we can provide the proper sized end fittings.

Chain Kit - Order #886 - Specify Size
(See Selection Guide below and Price Page for Sizes)

STANDARD CHAIN KIT ORDERING GUIDE

Roller Chain Size	Connector Type	Length of Chain	Order #
1/2" - #50	Stainless Clevis #736	1.5/46 m	#886-2S15
3/4" - #50	Stainless Clevis #736	2/1.61 m	#886-2S2
1" - #50	Stainless Adapter #635	2/1.61 m	#886-2B2
1" - #50	Stainless Adapter #635	2.5/7.76 m	#886-2B25

Edson's Wire Rope Kit

Consists of one length of the specified length of wire, preassembled and nico-pressed together with the thimble and chain adapter as shown, as well as one length of shrink wrap to cover the chain-to-wire connection. Two lengths required per steering installation.

Wire Rope Kit - Order #885 - Specify Size
(See Selection Guide below and Price Page for Sizes)

STANDARD WIRE KIT ORDERING GUIDE

Connector Type	Diameter of S.S. Wire Rope	Length of Wire	Order #
Stainless Clevis #736	3/8" / 9.5 mm	7/2 m	#885-SB7
Stainless Clevis #736	3/8" / 9.5 mm	9/2.75 m	#885-SB9
Stainless Clevis #736	3/8" / 9.5 mm	13/4 m	#885-SB13
Stainless Adapter #635	1/2" / 12.7 mm	9/2.75 m	#885-BD9
Stainless Adapter #635	1/2" / 12.7 mm	26/8 m	#885-BD26

Custom Chain and Wire Kits

Edson can custom build Chain & Wire Kits, Chain Kits or Wire Kits to your specifications. The chart below can be used to specify the correct combination of Chain, Wire and Fittings.

Custom Chain & Wire Kit - Order #775 - Specify Size

Custom Chain Kit - Order Product #886 - Specify Size

Custom Wire Kit - Order Product #885 - Specify Size

CUSTOM CHAIN AND WIRE KIT SIZE SELECTION GUIDE

Roller Chain Size	Connector Type	Length of Chain	Diameter of S.S. Wire Rope	Length of Each Wire
1 = 1/2 in #40	S = #736 SS Clevis B = #635 Heavy Duty Adapter	15 = 1.5 ft	B = 3/8" Dia	in Feet
2 = 3/4 in #50		2 = 2 ft	D = 1/2" Dia	
3 = 1 in #60		25 = 2.5 ft	E = 3/4" Dia	

Example: If you need a 1 1/2' section of #50 chain and two 7' pieces of 3/16" wire rope, you would order #775-2S15B7. 2=5/8" Chain, S=Stainless Clevis, B=3/16" Wire Rope, 7=Two lengths of 7' wire



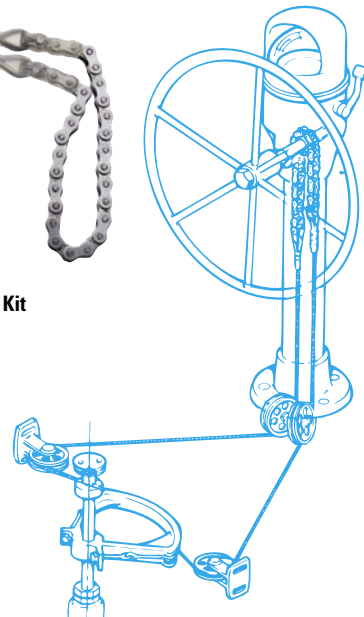
Edson Chain and Wire Rope Kit #775



Edson Chain Kit #886

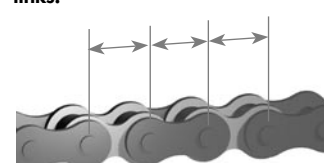


Edson Wire Rope Kit #885



Tech Tip

Measuring Roller Chain
Roller Chain is measured from pin-center to pin-center along its length. Common Sizes used on boat steering systems are 1/2" (#40), 5/8" (#50), 3/4" (#60) and 1" (#80). These sizes are usually stamped on the side of the chain links.



Warning

For safety, Edson recommends replacing your Chain and Wire Kit every 5 years. Clean it up, inspect it and if it is in good working condition, keep it on board for an emergency backup. On all boats, especially those in Charter Service or sailing in the tropics, the chain and wire MUST be lubricated and inspected monthly. The effects of sun, saltwater and inexperienced users can be severe and must be compensated for by increased inspection and maintenance schedules.

Chain, Wire Rope and Fittings

Chain and Wire are specified and connected in several different configurations, depending on the rudderloads that the boat will experience. Typically, boats in the 25'-42' (7.6m-12.8m) range see rudder loads that require 3/16" or 1/4" wire rope and 5/8" Roller Chain and are connected with a stainless clevis as shown in Figure 1.

Larger boats with higher rudder loads often require 1/4" or 5/16" wire rope and 3/4" roller chain, connected with a Heavy Duty Stainless or Bronze Adapter as shown in Figure 2.

For more information concerning specifying Chain and Wire for a boat, please refer to Edson's technical brochure **Steering System Planning, Installation and Maintenance Guide**. Contact your Edson Dealer or Edson Customer Service at 508-995-9711 to request your copy.

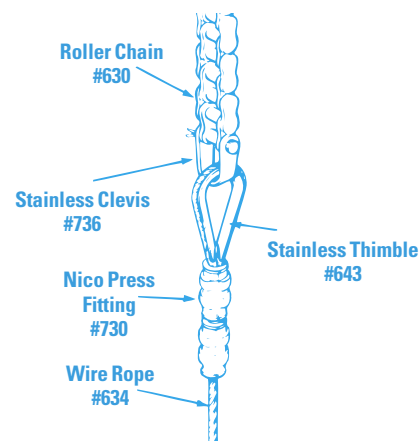


Figure 1
Consists of the standard Edson assembly of a Roller Chain and Wire Rope Kit when using 5/8" #50 Roller Chain with 3/16" (4.8mm) Wire Rope.

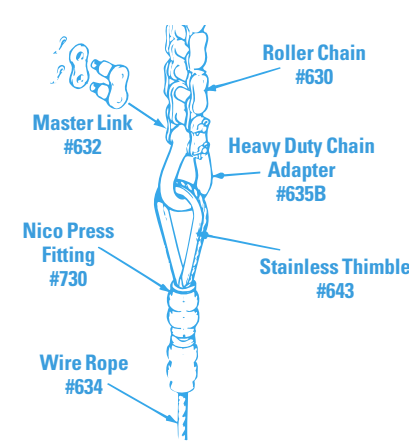
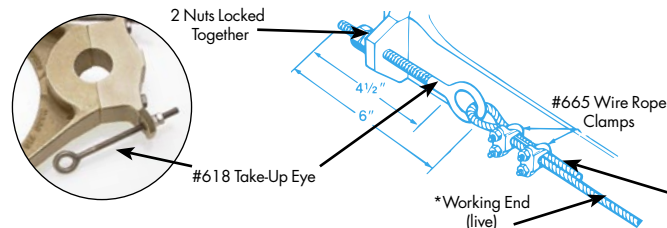


Figure 2
Consists of the standard Edson assembly of a Roller Chain and Wire Rope Kit when using 5/8" #50, 3/4" #60 or 1" #80 Roller Chain with 1/4" (6.35mm) or 5/16" (8.0mm) Wire Rope.

Edson's Take-Up Eyes accept Wire Rope up to 3/8" (9.5mm) in diameter, making adjustment of steering cable tension easy. For use with both Quadrants and Drive Wheels.



TAKE-UP EYE

Order #	Wire Size	Bolt Dia.
618-1-312	3/16", 1/4"	5/16"
618-2-375	1/4", 5/16"	3/8"
618-0-250	3/16"	1/4"

Edson's Stainless Wire Rope Clamps are used to secure the end of the wire rope after it goes through the Take-Up Eye on Quadrants and Drive Wheels. Two each are required for each take-up eye, or four total for a steering installation.



Tech Tip

When fastening a Wire Rope clamp, "Never saddle a dead horse." Always put the open/saddle side of the clamp on the side of the wire that is working or "live."



WIRE ROPE CLAMP ORDERING GUIDE

Wire Size	Order #
3/16"	665ST-187
1/4"	665ST-250
5/16"	665ST-312

ORDERING INFORMATION/FITTINGS SPECIFICATIONS

#630 STAINLESS ROLLER CHAIN					
Order #	Size	Breaking Strength	Weight Per Ft.	Lbs	kg
630-40	1/2"	12.70	2800 lbs	.4	.18
630-50	3/4"	15.87	5000 lbs	.6	.27
630-60	3/4"	19.05	7000 lbs	.9	.40
630-80	1"	25.40	10000 lbs	1.6	.72

#632 STAINLESS MASTER LINK			
Order #	Chain Size	Breaking Strength	
632-40	1/2"	12.70	2600 lbs
632-50	3/4"	15.87	4700 lbs
632-60	3/4"	19.05	6800 lbs
632-80	1"	25.40	10000 lbs

#633 STAINLESS ROLLER CHAIN HALF LINKS			
Order #	Chain Size	Breaking Strength	
633-40	1/2"	12.70	2800 lbs
633-50	3/4"	15.87	4450 lbs
633-60	3/4"	19.05	6000 lbs

#634 STAINLESS WIRE ROPE				
Order #	Diameter	Breaking Strength	Type	
634-187	3/16"	4.76	2900 lbs	7x19
634-250	1/4"	6.35	4900 lbs	7x19
634-312	5/16"	8.00	7600 lbs	7x19

#635 HEAVY DUTY CHAIN ADAPTER				
Order #	Chain Size	Tested Strength	Max. Wire Rope Size	
635ST-50	3/4"	15.87	5000 lbs	1/4" 6.35mm
635BR-60	3/4"	19.05	7000 lbs	3/8" 9.52mm
635BR-80	1"	25.40	9000 lbs	3/4" 9.52mm

#643 STAINLESS THIMBLES				
Order #	Thimble Size	Max Wire Rope Size	Max Load Rating	
643-187	3/16"	4.76	3/8"	2220 lbs
643-250	1/4"	6.35	1/2"	3660 lbs
643-312	5/16"	8.00	3/4"	4560 lbs

#665ST STAINLESS WIRE ROPE CLAMPS				
Order #	Clamp Size	Max Load Rating	Min Clamps per side	
665ST-187	3/16"	4.76	3120 lbs	2
665ST-250	1/4"	6.35	5280 lbs	2
665ST-312	5/16"	8.00	7600 lbs	3

#730 NICO PRESS FITTINGS - INSTALLED (For fittings only - see price list #47)

Order #	Size	Wire Rope	Tested Strength Using only 1 Fitting
730-187	3/16"	4.76	2900 lbs
730-250	1/4"	6.35	5000 lbs
730-312	5/16"	8.00	7600 lbs

#736 STAINLESS ROLLER CHAIN CLEVIS				
Order #	Size	Breaking Strength	Max. Wire Rope Size	
736-50	3/4"	15.87	3500 lbs	3/8" 4.76mm