



Rigging Hardware

Split Backstay Adjusters

Supplied By; American Rigging Supply, Inc.

"EXTREME DUTY" Split Backstay Car for 9/32" - 3/8" Cable

Johnson's new X7000 backstay car has finally arrived per requests from larger boat owners that want the simplicity of our proven system. Now large cruisers and racers can replace their current single block and leaky hydraulics split system. It is also easy to add our system to a factory split backstay which has no means for easy adjustment. A simple 6:1 or 8:1 block and tackle system is all that's needed for easy backstay adjustment. Like our smaller versions, the tandem sheave design creates in effect, one large sheave, reducing wire stress and twisting. Standard unit includes center sheave. 1/4" thick 6061-T6 red powder coated aluminum plates, hard anodized sheaves and T-316 fasteners make for a very husky unit, yet it only weighs 4lbs.

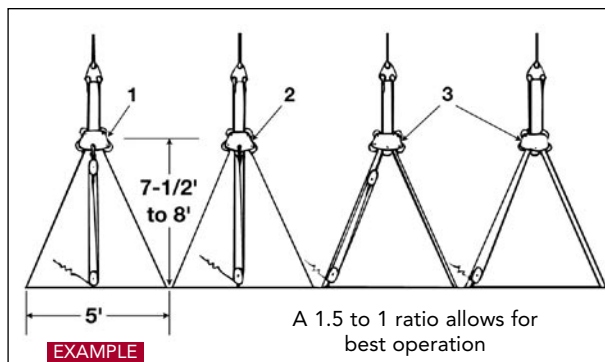


Cat. No. No.	Sheave Dia.	Max Wire Dia.	Dimensions (L x H)	Downhaul Bushing Diameter	List Price
X7000	3"	3/8"	11" x 7-1/4"	1/2"	\$673.50

"STANDARD DUTY" Split Backstay Car for up to 1/4" Cable

This adjusting car replaces separate blocks and a connecting member. Tandem sheaves eliminate severe flexing of the backstay, providing a neat, thoroughly functional fitting. The 38 Series with Delrin sheaves is intended for boats under 30ft., while the husky 39 Series with aluminum sheaves is intended for boats up to 40 feet.

Note: For maximum car release, use a 1.5 to 1 ratio between backstay base width and car height. Example: If a backstay is 5'-car height should not exceed 7 1/2' to 8' in height off deck. Higher ratios may require manual release with aid of boat hook, etc.



Patent Number 4224890



Specifications & Data

CAT. NO.	FIG. NO.	MAX. WIRE	DOWNHAUL FITTING	PRICE
38-201	3	3/16"	SHEAVE	\$59.00
38-202	1	3/16"	BECKET	\$65.50
38-203	2	3/16"	SHEAVE & BECKET	\$65.25
39-201	3	1/4"	SHEAVE	\$94.75
39-202	1	1/4"	BECKET	\$91.75
39-203	2	1/4"	SHEAVE & BECKET	\$101.50
38-213	38 Series	3/16"	(4) RPL. DELRIN SHEAVES	\$11.00
39-213	39 Series	1/4"	(1) ALUMINUM SHEAVE	\$13.00